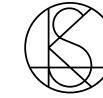


# SkLO



Object





Object is the name of our collection of accessories produced exclusively in hand-blown glass. While accurate, the simple word "accessories" does not fully describe the breadth of ideas that live here.

Object is a place of free experimentation for us as designers, where ideas run unfettered, practical constraints bend to the imagination, and we explore the possibilities of the craft of glassblowing.

Here you will find many different categories and types of work, from sculpture to drinkware, functional vases to wallpiece installations.

As designers, our goal is to express that these things are made by hand. Our interest in Craft is not the pursuit of perfection of technique, but rather the celebration of the unique, human act of making, itself.

We strive for subtlety, restraint, and beauty.

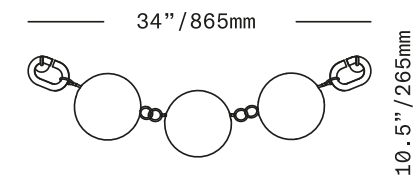
**SkLO**  
Bead  
WALLPIECE



**SkLO**  
Bead 3  
WALLPIECE



*Alabaster with armature in Brushed Brass finish*



Decorative sculptural wallpieces of large handblown Czech glass “beads” strung on a handmade brass armature. Attaching to the wall at each end with custom hardware (included), the beads drape gracefully between.

NOTE: Drawings and dimensions shown here indicate approximate dimensions of the recommended composition – other compositions are possible. See installation instructions for additional information on a range of possible compositions and dimensions

All glass dimensions are approximate – handblown glass dimensions vary by nature and intent

Made in the Czech Republic

- |                 |   |
|-----------------|---|
| SC551 [---][--] | Bead 3 Wallpiece  |
| Glass colors    | ○ Alabaster [ALB]<br>● Plum [PLM]<br>● Smoke [SMK]  |
| Metal finishes  | ● Dark Oxidized [DX]<br>● Brushed Brass [BB]<br>● Brushed Nickel [BN]<br>○ Polished Nickel [PN] |

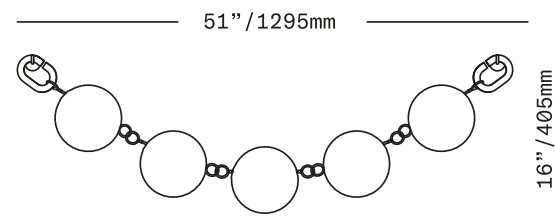
# SkLO

## Bead 5

WALLPIECE



Plum with armature in Brushed Brass finish



Decorative sculptural wallpieces of large handblown Czech glass “beads” strung on a handmade brass armature. Attaching to the wall at each end with custom hardware (included), the beads drape gracefully between.

NOTE: Drawings and dimensions shown here indicate approximate dimensions of the recommended composition – other compositions are possible. See installation instructions for additional information on a range of possible compositions and dimensions

All glass dimensions are approximate – handblown glass dimensions vary by nature and intent

Made in the Czech Republic

SC552 [---][---]

Bead 5 Wallpiece

Glass colors

- Alabaster [ALB]
- Plum [PLM]
- Smoke [SMK]

Metal finishes

- Dark Oxidized [DX]
- Brushed Brass [BB]
- Brushed Nickel [BN]
- Polished Nickel [PN]

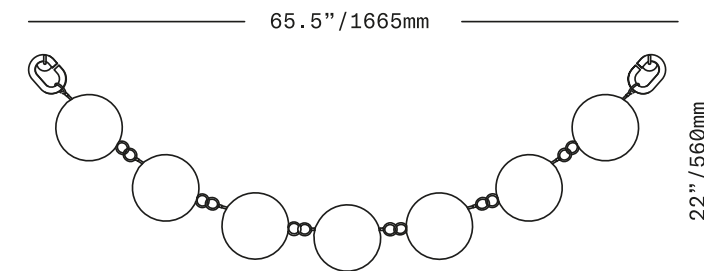
# SkLO

## Bead 7

WALLPIECE



Plum with armature in Brushed Brass finish



Decorative sculptural wallpieces of large handblown Czech glass “beads” strung on a handmade brass armature. Attaching to the wall at each end with custom hardware (included), the beads drape gracefully between.

NOTE: Drawings and dimensions shown here indicate approximate dimensions of the recommended composition – other compositions are possible. See installation instructions for additional information on a range of possible compositions and dimensions

All glass dimensions are approximate – handblown glass dimensions vary by nature and intent

Made in the Czech Republic

SC553 [---][---]

Bead 7 Wallpiece

Glass colors

- Alabaster [ALB]
- Plum [PLM]
- Smoke [SMK]

Metal finishes

- Dark Oxidized [DX]
- Brushed Brass [BB]
- Brushed Nickel [BN]
- Polished Nickel [PN]

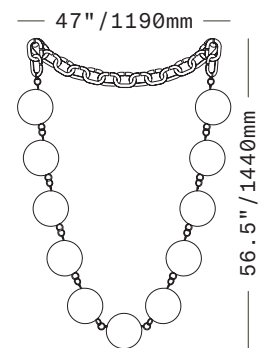
# SkLO

## Bead Chain 11

WALLPIECE



Plum with chain in Brushed Brass finish



A large wallpiece sculpture with oversized glass beads suspended along a length of brass links. With an expressive brass chain across the top, the wallpiece is suspended from two points on custom hardware (included). The piece drapes dramatically, a stylish wall sculpture.

NOTE: Drawings and dimensions shown here indicate approximate dimensions of the recommended composition – other compositions are possible. See installation instructions for additional information on a range of possible compositions and dimensions

All glass dimensions are approximate – handblown glass dimensions vary by nature and intent

Made in the Czech Republic

- SC550 [---][---] Bead Chain 11 Wallpiece
- Glass colors
- Alabaster [ALB]
  - Plum [PLM]
  - Smoke [SMK]
- Metal finishes
- Dark Oxidized [DX]
  - Brushed Brass [BB]
  - Brushed Nickel [BN]
  - Polished Nickel [PN]

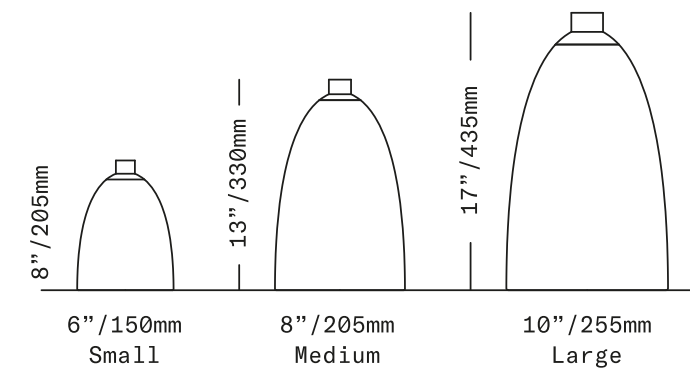
# SkLO

## Blend

VESSEL



Left to right: Medium Oyster, Large New Blue, Small Pastel Green



Blend Vessels are classic curving forms, the glass narrowing toward the top in gently curving lines. The vessels are then capped with a brushed brass element that defines the opening at the top. The colorway is a muted selection of gray/blue/green, with the opaque colors fading in intensity from the top to the bottom. The brass tops are permanently attached. Sophisticated and stately, they work alone or in groups of two and three.

Three sizes, three glass colors

Available in Brushed Brass metal finish only

All glass dimensions are approximate – handblown glass dimensions vary by nature and intent

Made in the Czech Republic

- VA010 [---][---] Small  
 VA011 [---][---] Medium  
 VA012 [---][---] Large
- Glass colors
- New Blue [NBL]
  - Oyster [OYS]
  - Pastel Green [PAG]
- Metal finishes
- Brushed Brass [BB]



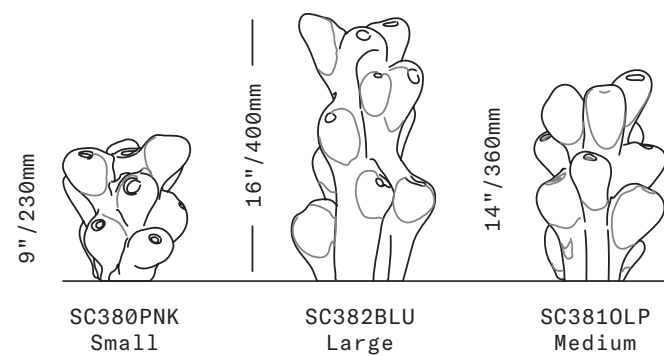
# SkLO

## Bloom

OBJECT



From left: Small/Pink Palette, Large/Blue Palette, Medium/Olive Palette



SkLO Bloom Objects are organic sculptural compositions of multiple smaller pod-shapes fused together while hot to form larger pieces. The bottoms are cut and polished. No two exactly alike.

Three sizes, each size available in one color as shown  
All glass dimensions are approximate – handblown glass dimensions vary by nature and intent  
Made in the Czech Republic

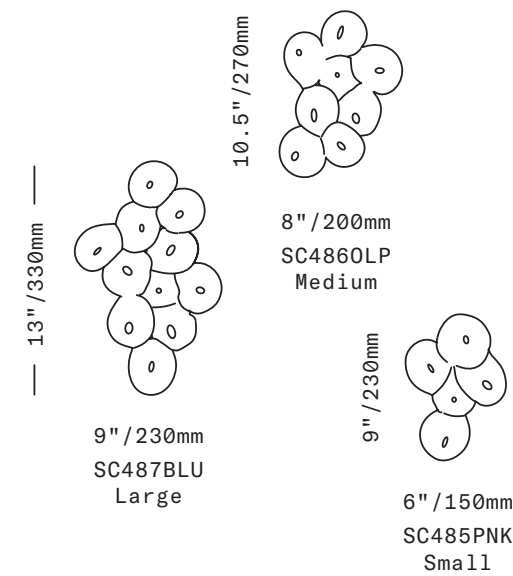
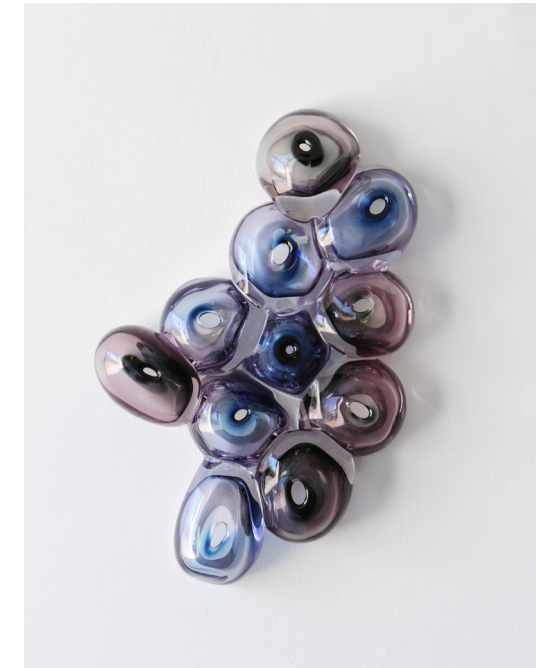
SC380PNK Small  
SC381OLP Medium  
SC382BLU Large

● Pink Palette  
● Olive Palette  
● Blue Palette

# SkLO

## Bloom

WALLPIECE



A version of the SkLO Bloom Object meant for display on the wall, the Bloom Wallpiece is produced in a similar process, organically building sculptural compositions by layering together smaller individually blown pod-shapes while hot. The backs are cut and polished. Simple hardware for mounting on the wall is included and suitable for most wall materials.

Three sizes, each size available in one color  
All glass dimensions are approximate – handblown glass dimensions vary by nature and intent  
Made in the Czech Republic

SC485PNK Small  
SC486OLP Medium  
SC487BLU Large

● Pink Palette  
● Olive Palette  
● Blue Palette



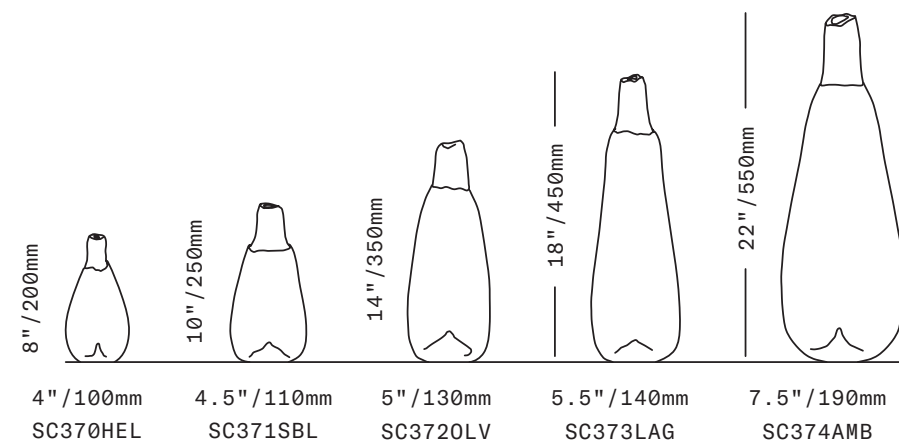
# SkLO

## Bottle

VESSEL



Clockwise from left: Olivin/14"H, Amber/22"H, Lagoon/18"H, Steel Blue/10"H, Heliotrope/8"H



SkLO Bottle Vessels are expressive vertically proportioned vessels. The necks are double-dipped, and the mouths broken hot from the glassblower's pipe and fire polished. The bottoms have a slight indent detail, a reference to classic glass bottle design. Handblown, no two exactly alike.

Five unique sizes, each size available in one color as shown

All glass dimensions are approximate – handblown glass dimensions vary by nature and intent

Made in the Czech Republic

SC370HEL  
SC371SBL  
SC372OLV  
SC373LAG  
SC374AMB

8"/200mm  
10"/250mm  
14"/350mm  
18"/450mm  
22"/550mm

● Heliotrope  
● Steel Blue  
● Olivin  
● Lagoon  
● Amber

# SkLO

## Coil 48

OBJECT



Twisting tubes of handblown glass with cut and polished ends, the SkLO Coil 48 Object showcases the inimitable clarity and thickness of Czech glass, embodying the ability of glassblowing to capture a kinetic moment in time. Handblown, no two exactly alike. Sold in intertwine-able groups of three, or groups of three with a handmade steel table stand.

All glass dimensions are approximate – handblown glass dimensions vary by nature and intent

Made in the Czech Republic

SC125 [---]  
SC127 [---][--]

Glass colors

Metal finishes

Set of 3 52"Lx12"H / 1320x300mm  
Set of 3 w/ stand 58"Lx16"Hx14"D / 1470x410x360mm

● Amber [AMB]  
○ Clear [CLR]  
● Steel Blue [SBL]  
○ White [WHT]

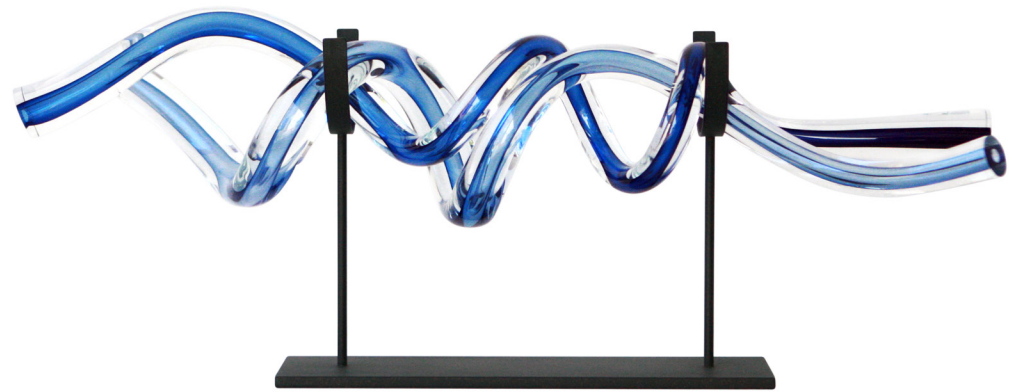
● Dark Oxidized [DX]  
● Brushed Nickel [BN]  
○ Polished Nickel [PN]



# SkLO

## Coil 32

OBJECT



SkLO Coil 32 Object is a slightly smaller version of the Coil 48. Twisting tubes of handblown glass with cut and polished ends, the SkLO Coil 32 Object showcases the inimitable clarity and thickness of Czech glass, embodying the ability of glassblowing to capture the kinetic moment in time. Coil 32 is sold in intertwine-able sets of three, or intertwine-able pairs on a steel table stand.

All glass dimensions are approximate – handblown glass dimensions vary by nature and intent

Made in the Czech Republic

SC135 [---]  
SC136 [---][--]

Glass colors

Metal finishes

Set of 3 33"Lx6.5"Hx7"D / 840x170x180mm  
Set of 2 w/ stand 36"Lx14"Hx9"D / 910x360x230mm

● Amber [AMB]  
○ Clear [CLR]  
● Steel Blue [SBL]  
○ White [WHT]

● Dark Oxidized [DX]  
● Brushed Nickel [BN]  
○ Polished Nickel [PN]

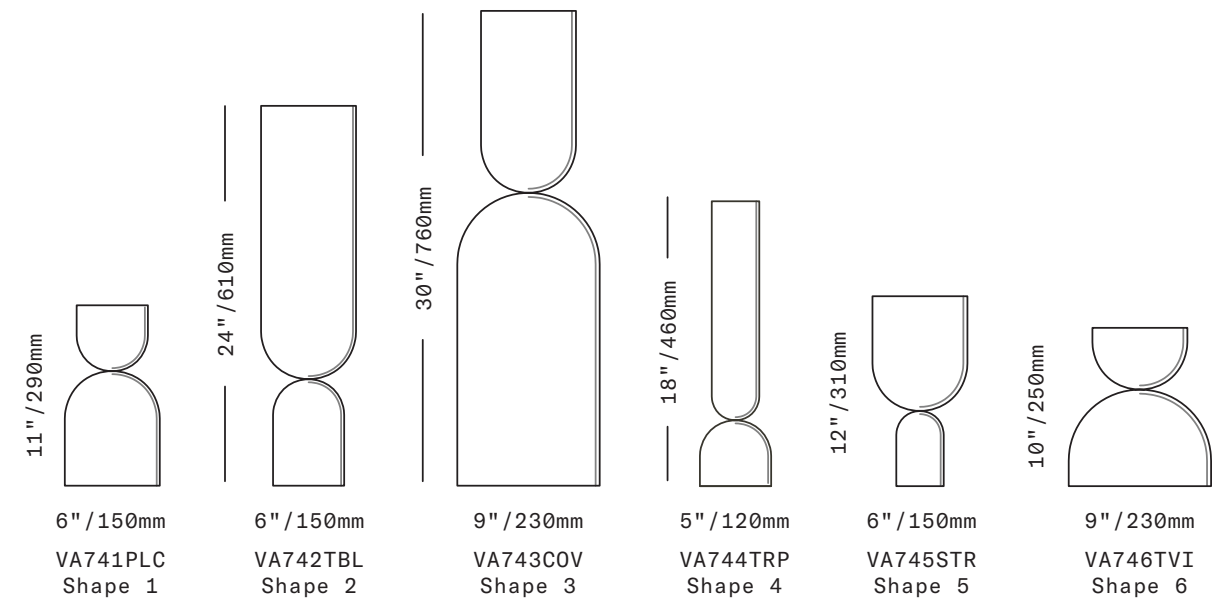
# SkLO

## Crescent

VESSEL



From left: Shape 1, Shape 4, Shape 3, Shape 5, Shape 2 and Shape 6



Minimal double-sided vessels composed of two different shapes in different transparent colors. Each half of each shape is a different diameter and proportion, with hemispherical ends joined dynamically together just where the two curves meet. The open ends are cut and polished so that the vessels can be oriented with either end up. Six unique shapes, in a bright palette of carefully combined colors.

Six unique shapes, colors available only as shown

All glass dimensions are approximate – handblown glass dimensions vary by nature and intent

Made in the Czech Republic

VA741PLC  
VA742TBL  
VA743COV  
VA744TRP  
VA745STR  
VA746TVI  
VA747MIX

Shape 1  
Shape 2  
Shape 3  
Shape 4  
Shape 5  
Shape 6  
Set of 6

● Plum/Copper Ruby  
● Tourmaline/Steel Blue  
● Copper Ruby/Violet  
● Pine Tree Green/Plum  
● Steel Blue/Pine Tree Green  
● Tourmaline/Violet







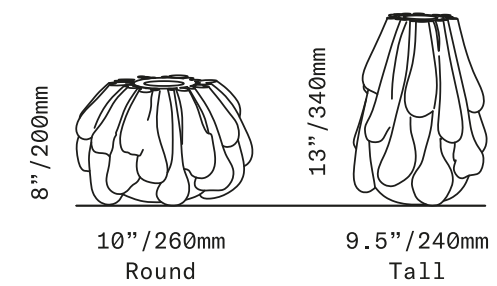
# SKLO

Dew

VESSEL



Clockwise from center: Round Steel Blue Frosted, Tall Strawberry Frosted, Round Smoke Frosted



SkLO Dew Vessels are substantial, visually complex pieces that evoke the molten nature of handblown glass. They start as simply shaped vessels of transparent colored glass which are then layered with dripping pieces of molten clear glass. The outside is then given a frosted finish. The tops are then cut and polished to reveal the unique details of the layers. Bottoms are cut and polished. No two are exactly alike.

Two shapes, three glass colors

All glass dimensions are approximate – handblown glass dimensions vary by nature and intent

Made in the Czech Republic

VA316 [---]  
VA317 [---]

Glass colors

Round  
Tall

- Smoke Frosted [FSM]
- Steel Blue Frosted [FBL]
- Strawberry Frosted [STF]



# SKLO

## Drink

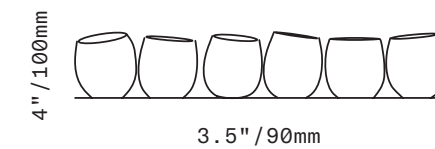
CUP



From left: Opaque Blue Palette, Transparent Blue Palette



From left: Opaque Red Palette, Transparent Red Palette



Drink is a collection of minimal glassware with a focus on color. Available in sets of four, in four palettes of either opaque or transparent glass colors. Drink are intentionally irregular, with a distinct off-center attitude that identifies them as skillfully handmade. Each is individually handblown, no two are exactly alike.

All glass dimensions are approximate – handblown glass dimensions vary by nature and intent

Made in the Czech Republic

CU101 [---]

Glass colors

Drink Cup

- Opaque Blue Palette [POB]
- Transparent Blue Palette [PTB]
- Opaque Red Palette [POR]
- Transparent Red Palette [PTR]



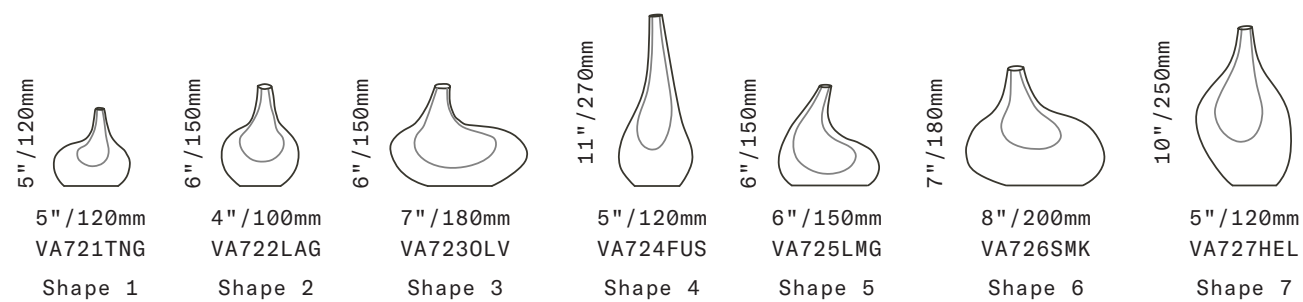
# SkLO

## Droplet

VESSEL



From left: Shape 3, Shape 2, Shape 7, Shape 6, Shape 5, Shape 4, Shape 1



SkLO Droplet Vessels are a collection of seven small-to medium-sized vessels, each unique in shape and color. The vessels are asymmetrical, each a mass of solid glass around a complementary shaped void of transparent color. While the Droplet Vessels work individually, they are meant to be displayed in groups, and they are available as a set of all 7.

Seven vessels in seven colors, only as shown

All glass dimensions are approximate – handblown glass dimensions vary by nature and intent

Made in the Czech Republic

VA721TNG  
VA722LAG  
VA723OLV  
VA724FUS  
VA725LMG  
VA726SMK  
VA727HEL  
VA720MIX

Shape 1  
Shape 2  
Shape 3  
Shape 4  
Shape 5  
Shape 6  
Shape 7  
Set of 7

- Tangerine
- Lagoon
- Olivin
- Fuchsia
- Lemon Green
- Smoke
- Heliotrope

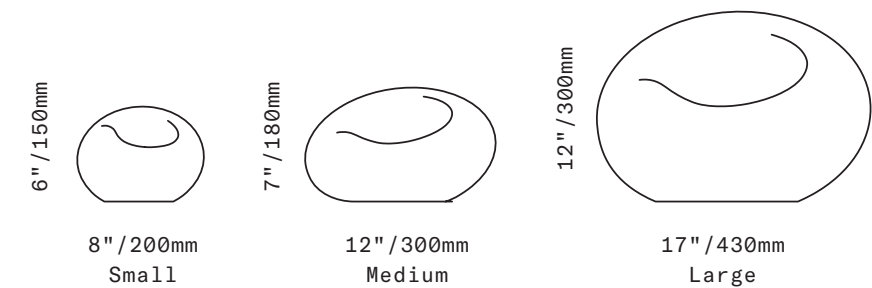
# SkLO

## Echo

VESSEL



From left: Small/Pewter, Medium/Gold, Medium/Silver, Large/Blue



SkLO Echo Vessels are rounded asymmetrical shapes of handblown Czech glass in transparent colors with dimpled voids at their tops. The vessels are mirror-finished from the inside, giving them their distinct metallic reflective surface. Intentionally off-center, each echo evokes its handblown origins.

All glass dimensions are approximate – handblown glass dimensions vary by nature and intent

Made in the Czech Republic

BL720 [---]  
BL721 [---]  
BL722 [---]

Glass colors

Small  
Medium  
Large

- Blue Mirror [BLU]
- Gold Mirror [GLD]
- Pewter Mirror [PEW]
- Silver Mirror [SLV]





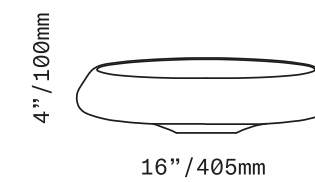
# SKLO

## Expand

BOWL



*From left: Olivin, Smoke, and Plum*



Made entirely without the use of moulds, SkLO Expand Bowls are intentionally irregular and highly organic, to showcase both the skill it takes to produce them, yet tell a story about their handmade origins.

All glass dimensions are approximate – handblown glass dimensions vary by nature and intent

Made in the Czech Republic

CH176 [---]

Glass colors

Expand Bowl

● Olivin [OLV]





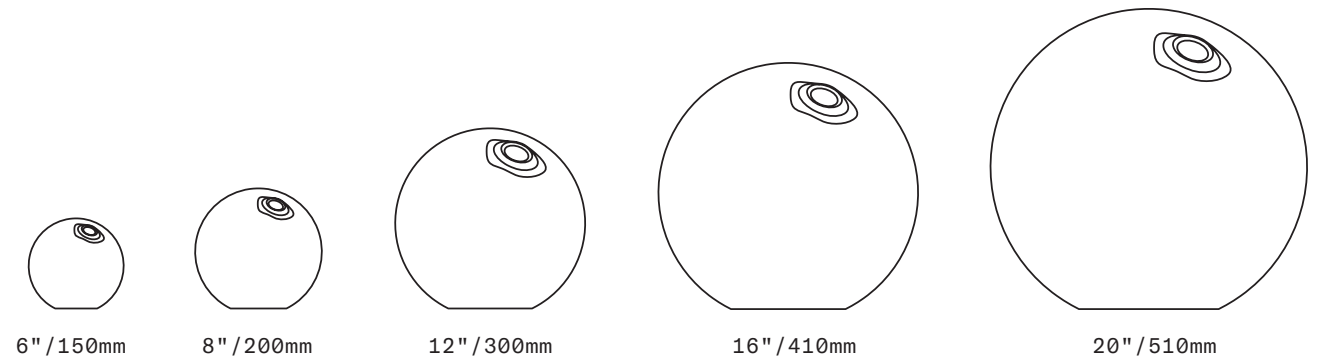
# SKLO

## Float

VESSEL



Top, from left: 6" Whiskey, 8" Fuchsia, 12" Strawberry, 16" Sargasso, 20" Plum  
 Bottom, from left: 6" Light Green, 8" Smoke, 12" Lime, 16" Pine Tree Green, 20" Steel Blue



SkLO Float Vessels are organic spheres of handblown Czech glass with broken flame polished mouths. They are entirely free-blown, produced without the use of moulds to shape them. The tops are given a slight ripple where they are dipped twice into the molten glass, and the mouths broken from the blowpipe and fire polished while hot. These subtle details elevate the simple sphere to a unique thing of beauty that speaks entirely of the craft of glass blowing. The Float Vessels come in 5 sizes, and each size is available in two different colors, making up two different color palettes. The color palettes reflect the idea that Float Vessels work best in groups, with the color palettes carefully curated to allow for many possibilities.

All glass dimensions are approximate – handblown glass dimensions vary by nature and intent

Made in the Czech Republic

VA251 [---]	6"/150mm	● Light Green [LGR] ● Whiskey [WHS]
VA252 [---]	8"/200mm	● Fuchsia [FUS] ● Smoke [SMK]
VA253 [---]	12"/300mm	● Lime [LIM] ● Strawberry [STB]
VA254 [---]	16"/410mm	● Olivin [OLV] ● Pine Tree Green [PTG]
VA255 [---]	20"/510mm	● Plum [PLM] ● Steel Blue [SBL]



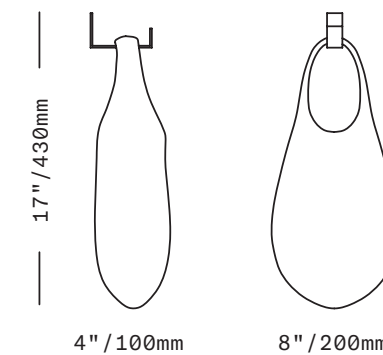
# SkLO

## Hold

### VESSEL



From left: Smoke, New Blue, Olivin, White on steel wall hooks with Dark Oxidized finish  
(Not pictured: Clear and Gray)



SkLO Hold Vessel is a glass wall vase that appears to stretch from the hook on which it hangs. Executed in handblown Czech glass and hung from a handmade hook, SkLO Hold Vessels can be functional vases, or sculptural objects, and benefit from being shown in multiple. Handblown, no two Hold Vessels are exactly alike.

All glass dimensions are approximate – handblown glass dimensions vary by nature and intent

Made in the Czech Republic

VA261 [---][--]

Hold Vessel

Glass colors

- Clear [CLR]
- Gray [GRY]
- New Blue [NBL]
- Olivin [OLV]
- Smoke [SMK]
- White [WHT]

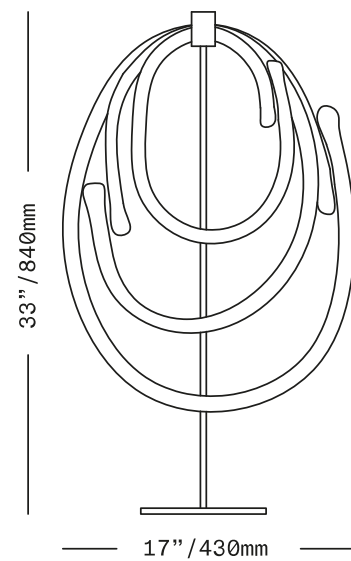
Metal finishes

- Dark Oxidized [DX]
- Brushed Brass [BB]
- Brushed Nickel [BN]
- Polished Nickel [PN]

# SKLO

## Lasso

OBJECT



Solid loops of handblown Czech glass presented atop a steel table stand. Each Lasso consists of a group of five loops of varying sizes so each piece is a composition unto itself, showcasing the amazing depth and clarity of Czech glass. Every loop is unique, an expression of the hand of the glass master – no two exactly alike.

All glass dimensions are approximate – handblown glass dimensions vary by nature and intent

Made in the Czech Republic

SC101 [---][--]

Glass colors

Metal finishes

Lasso Object

- Clear [CLR]
- White [WHT]

- Dark Oxidized [DX]
- Brushed Nickel [BN]
- Polished Nickel [PN]



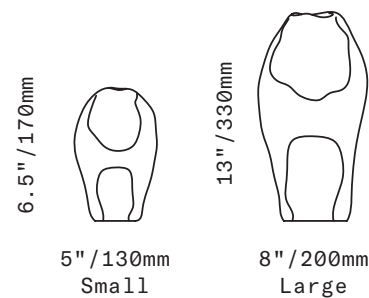
# SkLO

## Lava

OBJECT



Top, from left: Small/White, Large/White  
Bottom, from left: Small in Smoke/New Blue, Fire Red/Morning Red, Opal/Plum, Pea Green/Olivin



SkLO Lava are nearly solid glass objects with small blown voids at the top and bottom, each of a contrasting color. The bottoms are ground flat and polished.

All glass dimensions are approximate – handblown glass dimensions vary by nature and intent

Made in the Czech Republic

VA246 [---]  
VA248 [---]

Glass colors

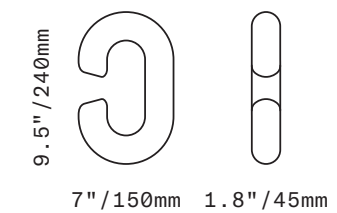
Small  
Large

- Fire Red/Morning Red [FMR]
- Opal/Plum [OPO]
- Pea Green/Olivin [PSG]
- Smoke/New Blue [SNB]
- White [WHT]

# SkLO

## Link

OBJECT



Chunky oversized chain links sculpted from solid Czech glass. Each link is an open link to allow for reconfiguring. Sold in sets of 2, 3, 4 and 5. Many possibilities for display.

All glass dimensions are approximate – handblown glass dimensions vary by nature and intent

Made in the Czech Republic

SC002CLR  
SC003CLR  
SC004CLR  
SC005CLR

Set of 2  
Set of 3  
Set of 4  
Set of 5

- Clear
- Clear
- Clear
- Clear





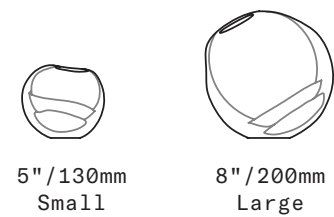
# SkLO

## Mantle

VESSEL



From left: Small/Olivin, Large/Fuchsia, Small/Lagoon, Large/Tangerine



SkLO Mantle Vessels are organic spherical vessels with overlapping triple color schemes of two opaque colors cupping a third transparent color void. The colors are encased in thick clear Czech glass, giving the impression of the colors floating individually within the substantial form.

All glass dimensions are approximate – handblown glass dimensions vary by nature and intent

Made in the Czech Republic

VA731 [---]  
VA732 [---]

Glass colors

Small  
Large

- Fuchsia [FUS]
- Lagoon [LAG]
- Olivin [OLV]
- Tangerine [TNG]

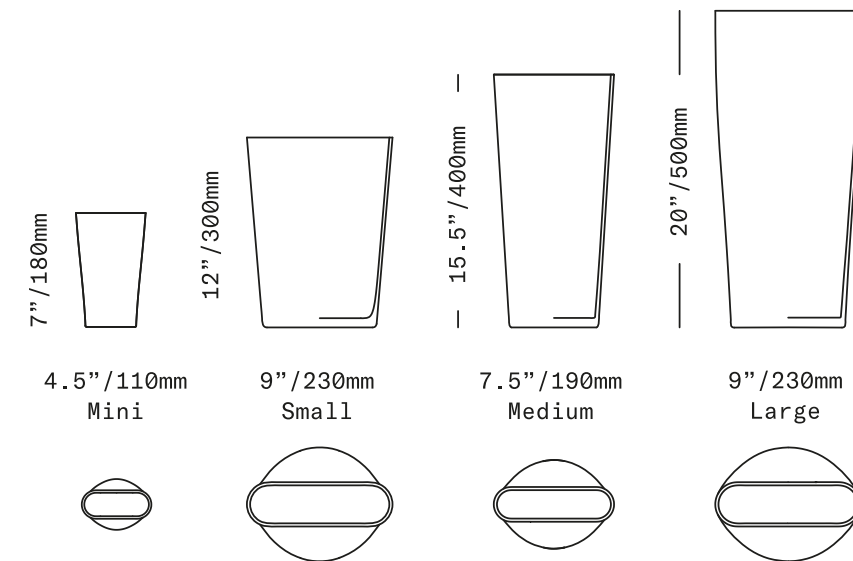
# SkLO

## Pinch

VESSEL



Clockwise from left: Small, Large, Medium and Mini



Cylindrical at the base, the Pinch Vessels transition along their length to an oval shape at the top. Available in 4 sizes and a palette of transparent colors. Perfectly functional, they are also sophisticated minimal objects on their own.

Four vessels in four colors, only as shown

All glass dimensions are approximate – handblown glass dimensions vary by nature and intent

Made in the Czech Republic

VA390PLM  
VA391OLV  
VA392PTG  
VA393COP  
VA395MIX

Mini  
Small  
Medium  
Large  
Set of 4

- Plum
- Olivin
- Pine Tree Green
- Copper Ruby





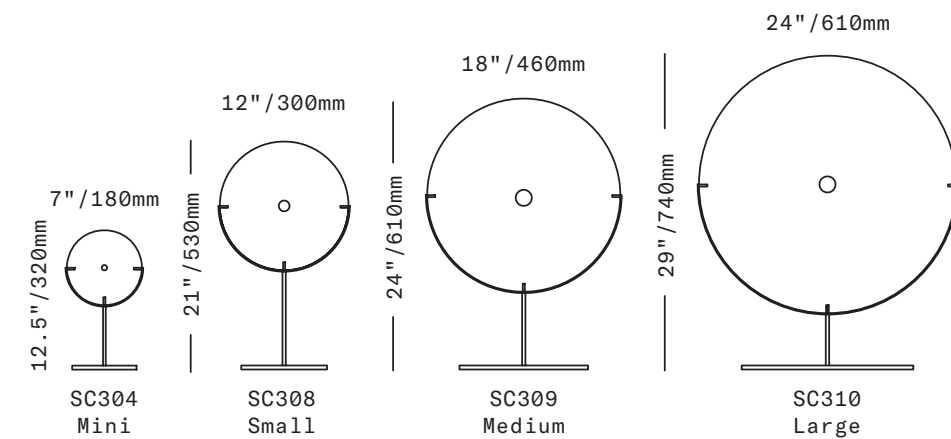
# SKLO

## Pool

OBJECT



From left: Mini/Gray, Medium/New Blue, Large/Steel Blue, Small/Smoke on Dark Oxidized steel table stands



SkLO Pool Objects are discs of handblown Czech glass with open mouths at the center where the pieces are broken from the glassmaster's pipe and flame polished, giving each a unique detail. Presented on steel table stands.

All glass dimensions are approximate – handblown glass dimensions vary by nature and intent

Made in the Czech Republic

- SC304 [---][--] Mini
- SC308 [---][--] Small
- SC309 [---][--] Medium
- SC310 [---][--] Large

- Glass colors
- Gray [GRY]
  - Light Beige [LBE]
  - New Blue [NBL]
  - Plum [PLM]
  - Smoke [SMK]
  - Smokey Gray [SMG]
  - Steel Blue [SBL]
  - Strawberry [STB]
  - White [WHT]

- Metal finishes
- Dark Oxidized [DX]
  - Brushed Nickel [BN]
  - Polished Nickel [PN]



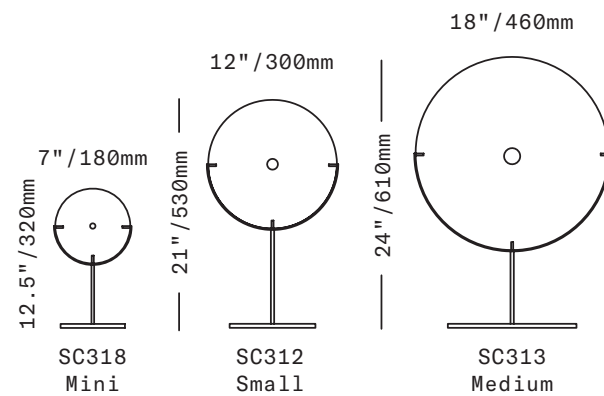
# SkLO

## Pool

OBJECT



Small/Plum on Brushed Brass table stand



SkLO Pool Objects are discs of handblown Czech glass with open mouths at the center where the pieces are broken from the glassmaster's pipe and flame polished, giving each a unique detail. Presented on solid brass table stands. NOTE: The Large size Pool Object is not available with the brass table stand.

All glass dimensions are approximate – handblown glass dimensions vary by nature and intent

Made in the Czech Republic

SC318 [---][--] Mini  
 SC312 [---][--] Small  
 SC313 [---][--] Medium

- Glass colors
- Gray [GRY]
  - Light Beige [LBE]
  - New Blue [NBL]
  - Plum [PLM]
  - Smoke [SMK]
  - Smokey Gray [SMG]
  - Steel Blue [SBL]
  - Strawberry [STB]
  - White [WHT]

Metal finishes ● Brushed Brass [BB]

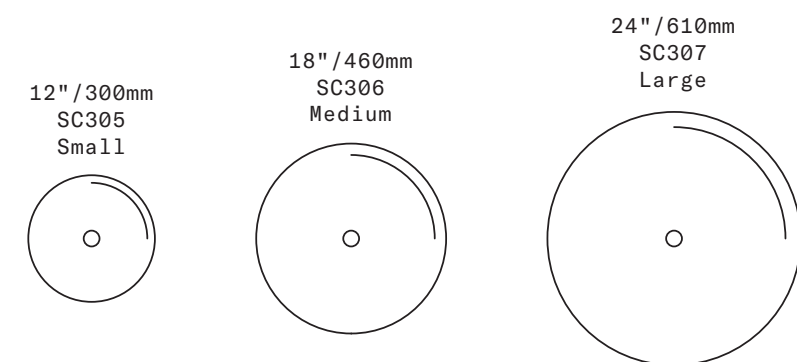
# SkLO

## Pool

WALLPIECE



From left: Medium/Strawberry, Small/Smoke, Large/Plum with Dark Oxidized steel wall hooks



SkLO Pool Wallpieces are discs of handblown Czech glass with open mouths at the center where the pieces are broken from the glassmaster's pipe and flame polished, giving each a unique detail. SkLO Pool Wallpieces are hung with handmade steel wall hooks. The steel wall hooks come in two different depths, 3" and 4" (75 and 100mm) to allow for slight overlapping of the discs. Unless otherwise specified, a mix of 3" and 4" hooks is provided.

All glass dimensions are approximate – handblown glass dimensions vary by nature and intent

Made in the Czech Republic

SC305 [---][--] Small  
 SC306 [---][--] Medium  
 SC307 [---][--] Large

- Glass colors
- Gray [GRY]
  - Light Beige [LBE]
  - New Blue [NBL]
  - Plum [PLM]
  - Smoke [SMK]
  - Smokey Gray [SMG]
  - Steel Blue [SBL]
  - Strawberry [STB]
  - White [WHT]

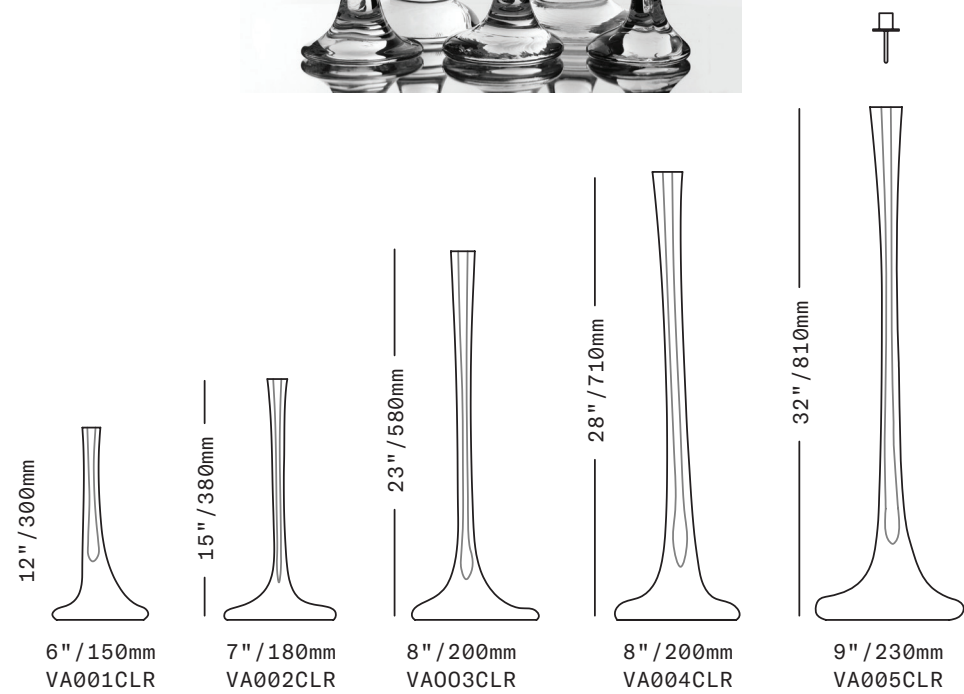
Metal finishes ● Dark Oxidized [DX]  
 ● Brushed Nickel [BN]  
 ○ Polished Nickel [PN]



# SKLO

## Puddle

VESSEL / CANDLESTICK



Sculptural Czech glass vases that double as candlesticks with the addition of a handmade candlecup. Tall and slender with thick bases of solid glass. Each Puddle is handblown, they have a slight off-center organic movement to the stem, and no two are exactly alike.

All glass dimensions are approximate – handblown glass dimensions vary by nature and intent

Made in the Czech Republic

VA001CLR	12"/300mm	○ Clear
VA002CLR	15"/380mm	○ Clear
VA003CLR	23"/580mm	○ Clear
VA004CLR	28"/710mm	○ Clear
VA005CLR	32"/810mm	○ Clear
CS201 [-]	Candle cup	

Metal finishes	● Dark Oxidized [DX]
	● Brushed Brass [BB]
	● Brushed Nickel [BN]
	○ Polished Nickel [PN]



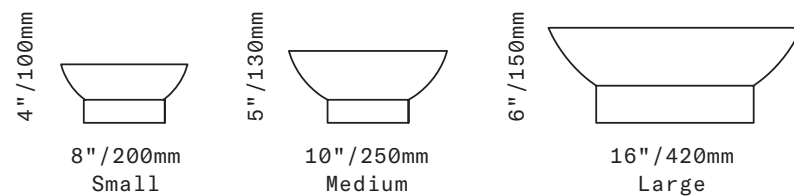
# SkLO

## Ring

BOWL



From left: Small/Clear, Large/Steel Blue, Medium/Plum on Brushed Brass rings



A broad, shallow bowl of handblown Czech glass that sits freely atop a metal ring base. The handblown glass bowl is blown without the use of a mould – it is shaped by hand while hot on the glass blower’s pipe, and it is extra thick and massive as a result. This allows for the lip of the glass bowl to be cut and highly polished. The sturdy ring is custom made to fit the bowl, elevating it.

All glass dimensions are approximate – handblown glass dimensions vary by nature and intent

Made in the Czech Republic

- BL604 [---][--] Small
- BL605 [---][--] Medium
- BL606 [---][--] Large

- Glass colors
- Clear [CLR]
  - Plum [PLM]
  - Steel Blue [SBL]

- Metal finishes
- Dark Oxidized [DX]
  - Brushed Brass [BB]
  - Brushed Nickel [BN]
  - Polished Nickel [PN]

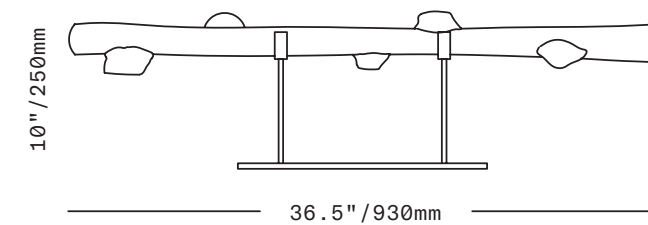
# SkLO

## Root

OBJECT



Shown on Dark Oxidized steel table stand



SkLO Root is a length of solid clear Czech glass, marked by random locations where glass is organically added, then cut and ground nearly completely off, leaving highly polished and flat cylindrical shapes. Evocative of the shapes found in nature, yet also a compelling expression of glass and the skill behind its handmade origins. Presented on a steel table stand.

All glass dimensions are approximate – handblown glass dimensions vary by nature and intent

Made in the Czech Republic

- SC271CLR [---] Root Object ○ Clear

- Metal finishes
- Dark Oxidized [DX]
  - Brushed Nickel [BN]
  - Polished Nickel [PN]



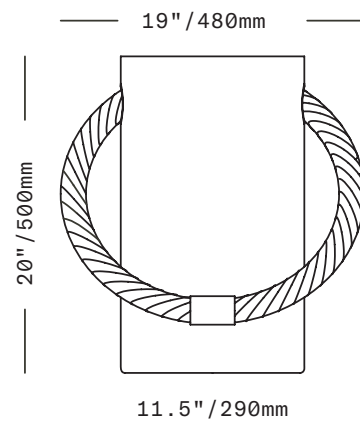
# SkLO

## Rope

VESSEL



From left: Pine Tree Green, Clear and Smokey Brown



Oversized cylindrical vessels of handblown Czech glass, each with a decorative thick rope loop that passes through holes in the glass. The rope loops are permanently joined together with a length of brass tube. Functional, yet the simple detail of the rope elevates this into an object all its own. Note that the rope “handle” is purely decorative, and the vessel is not meant to be lifted by the rope.

All glass dimensions are approximate – handblown glass dimensions vary by nature and intent

Made in the Czech Republic

VA400 [---][--]

Rope Vessel

Glass colors

- Clear [CLR]
- Pine Tree Green [PTG]
- Smokey Brown [SMB]

Metal finishes

- Dark Oxidized [DX]
- Brushed Brass [BB]
- Brushed Nickel [BN]
- Polished Nickel [PN]

# SkLO

## Sea

OBJECT



Clockwise from left: Gold Leaf, Clear, Amber, Steel Blue, and White

SkLO Sea Objects are twists of solid handblown Czech glass with cut and highly polished ends. Sea Objects are designed to intertwine, and are shown here in intertwined sets of three individual objects.

All glass dimensions are approximate – handblown glass dimensions vary by nature and intent

Made in the Czech Republic

SC260 [---]

Single

24" L / 600mm

SC261 [---]

Set of 3

Glass colors

- Amber [AMB]
- Black [BLK]
- Clear [CLR]
- Gold Leaf [GLF]
- Silver Mirror [SLV]
- Steel Blue [SBL]
- White [WHT]



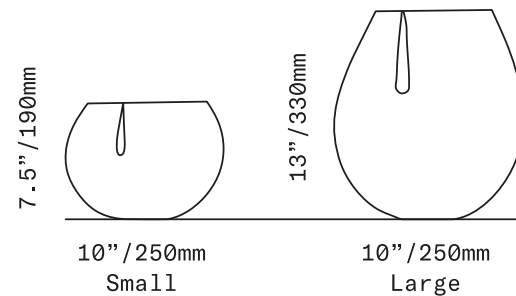
# SkLO

## Seam

VESSEL



Back row from left: Large in Smoke Frosted and Whiskey Frosted  
Front row from left: Small in Violet Frosted, Steel Blue Frosted and Copper Ruby Frosted



A special glassblowing technique developed at SkLO gives these vessels their "seam" while they are hot on the glassblower's pipe. This creates the unique asymmetrical, off-center double mouths that are the signature detail of these beautiful vessels. The seam is produced in a palette of rich transparent colors. Then the glass is frosted, resulting in a vibrant, irresistible depth. The open mouths are ground and polished.

Two sizes, five glass colors

All glass dimensions are approximate – handblown glass dimensions vary by nature and intent

Made in the Czech Republic

VA320 [---] Small  
VA322 [---] Large

Glass colors

- Copper Ruby Frosted [FCR]
- Smoke Frosted [FSM]
- Steel Blue Frosted [FBL]
- Violet Frosted [FVI]
- Whiskey Frosted [FWS]

# SkLO

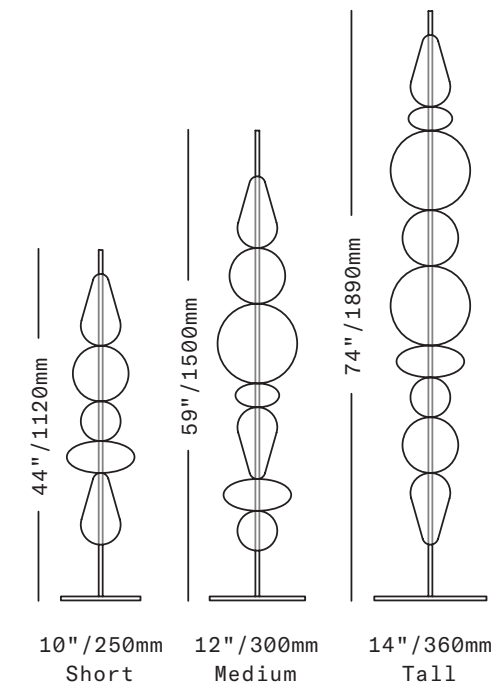
## Stack

OBJECT



Medium, Short and Tall in multi-color Blue and Red Palettes  
All with Dark Oxidized steel stands

Short in monochrome Smoke, Medium in monochrome Clear and Tall in monochrome Amber. All with Dark Oxidized steel stands



SkLO Stack Objects are towers of handblown glass shapes secured on a steel stand. They are available in three different sizes, and each size is composed of a specific combination of different glass shapes. The Stack Objects are available in both monochrome and multi-color glass color schemes.

All glass dimensions are approximate – handblown glass dimensions vary by nature and intent

Made in the Czech Republic

SC331 [---][--] Short  
SC332 [---][--] Medium  
SC333 [---][--] Tall

Glass colors monochrome

Glass colors multi-color

Metal finishes

- Amber [AMB]
- Clear [CLR]
- Smoke [SMK]

- Blue Palette [PTB]
- Red Palette [PTR]

- Dark Oxidized [DX]
- Brushed Nickel [BN]
- Polished Nickel [PN]



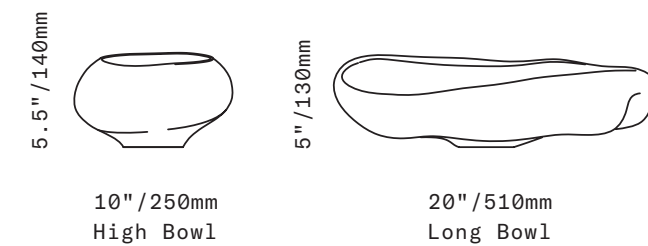
# SKLO

## Sway

### BOWL



Top, from left: Long Bowl and High Bowl in Gray  
Bottom, from left: Long Bowls in Olivin, Pink, Lagoon, White, and Blue



SkLO Sway Bowls are asymmetrical organic bowls with amazing depth of color executed in extremely thick Czech glass. Two complementary glass colors are used in each piece to create an amazing and rich color effect. The SkLO Sway is a timeless design that works within a large range of styles and interiors. The Sway High Bowl is taller and narrower; the Sway Long Bowl is an irregular oval. Organically shaped, no two are exactly alike.

All glass dimensions are approximate – handblown glass dimensions vary by nature and intent

Made in the Czech Republic

BL701 [---]  
BL703 [---]

Glass colors

High Bowl  
Long Bowl

- Blue [BLU]
- Gray [GRY]
- Lagoon [LAG]
- Olivin [OLV]
- Pink [PNK]
- White [WHT]



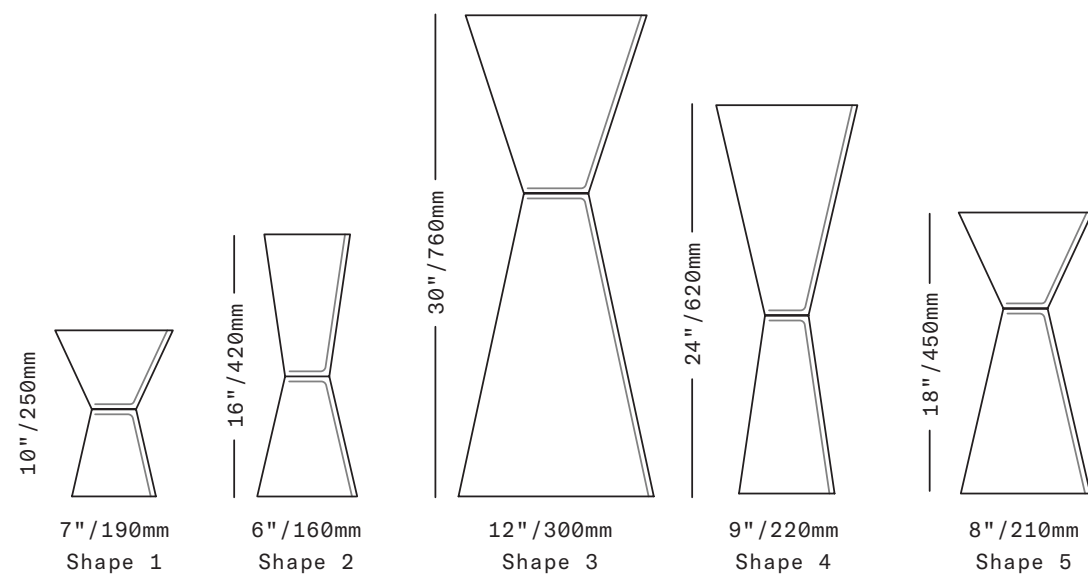
# SkLO

## Taper

VESSEL



From left: Shape 1, Shape 2, Shape 3, Shape 4, Shape 5



Double-sided vessels composed of tapering conical shapes joined together at their narrowest points. Using moulds to blow the individual glass shapes allows careful control over the exact sizes and proportions of the finished piece. Each half of each unique Taper Vessel is a different transparent color, and the color palette of the entire collection carefully repeats itself to insure multiple vessels always work together as a composition. Each end is open so that the vessels are entirely functional and reversible – the open ends are cut and finish polished.

Five unique shapes, colors available only as shown.

All glass dimensions are approximate – handblown glass dimensions vary by nature and intent

Made in the Czech Republic

VA751SGS Shape 1  
 VA752SKB Shape 2  
 VA753SGP Shape 3  
 VA754SKP Shape 4  
 VA755SMS Shape 5  
 VA756MIX Set of 5

- Olivin/Smokey Gray
- Smokey Gray/Smoke
- Olivin/Plum
- Smoke/Plum
- Olivin/Smoke

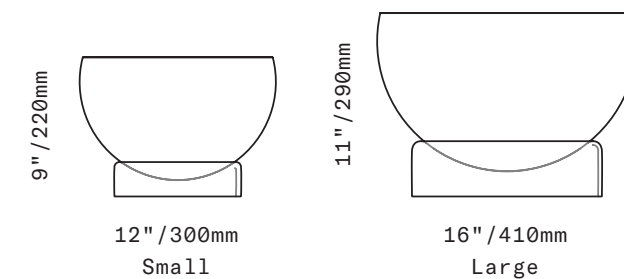
# SkLO

## View

BOWL



Back row from left: Large in Smoke, Plum, and Fuchsia  
 Front row from left: Small in Copper Ruby, Olivin, and Pine Tree Green



The View Bowl is created by combining two separate shapes while hot on the glass blower's pipe. The form of the bowl is pressed against a cylindrical base, the rounded surface of the bowl pushing into the space within the cylinder. The tops and bottoms are then cut and polished. Each View Bowl is made up of two transparent colors, one for the bowl and one for the base, creating a complex color relationship.

All glass dimensions are approximate – handblown glass dimensions vary by nature and intent

Made in the Czech Republic

BL731 [---] Small  
 BL732 [---] Large

- Copper Ruby [COP]
- Olivin [OLV]
- Pine Tree Green [TRQ]
- Fuchsia [FUS]
- Plum [PLM]
- Smoke [SMK]



# SKLO

## Wrap

OBJECT



Top from left: Lagoon, Smoke, Steel Blue, Purple, Fuchsia, Clear, Amber  
Bottom from left: Apricot, White, Gray, Celadon Green, Dark Green, New Blue



7" / 180mm

SkLO Wrap Objects are a wound length of handblown Czech glass tube. Each SkLO Wrap Object is a unique handmade piece, no two exactly alike. Whether alone, or in larger groups, the Wrap presents a distinct opportunity to display the beauty and immediacy of glassblowing.

All glass dimensions are approximate – handblown glass dimensions vary by nature and intent

Made in the Czech Republic

FL114 [---]

Glass colors

Wrap Object

- Amber [AMB]
- Apricot [APR]
- Celadon Green [CEL]
- Clear [CLR]
- Dark Green [DRG]
- Fuchsia [FUS]
- Gray [GRY]
- Lagoon [LAG]
- New Blue [NBL]
- Purple [PUR]
- Smoke [SMK]
- Steel Blue [SBL]
- White [WHT]

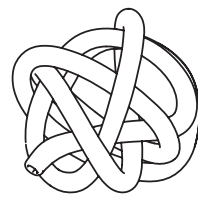
# SkLO

## Large Wrap

OBJECT



Top from left: Clear, Amber, Steel Blue, Smoke  
Bottom from left: Gray, New Blue, White, Silver Mirror



10" / 250mm

SkLO Large Wrap Objects are a larger version of the classic SkLO Wrap, a wound length of handblown Czech glass tube. Each SkLO Large Wrap Object is a unique handmade piece, no two exactly alike. Whether alone, or in larger groups, Large Wrap presents a distinct opportunity to display the beauty and immediacy of glassblowing.

All glass dimensions are approximate – handblown glass dimensions vary by nature and intent

Made in the Czech Republic

FL120 [---]

Glass colors

Large Wrap Object

- Amber [AMB]
- Black [BLK]
- Clear [CLR]
- Gray [GRY]
- New Blue [NBL]
- Silver Mirror [SLV]
- Smoke [SMK]
- Steel Blue [SBL]
- White [WHT]



SkLO ships worldwide from the Czech Republic

Inquiries:

SkLO EU [eu@sklo.com](mailto:eu@sklo.com)

SkLO US [us@sklo.com](mailto:us@sklo.com)

[www.sklo.com](http://www.sklo.com)

**SkLO**

[sklo.com](http://sklo.com)

SkLO US 115 WEST NORTH STREET HEALDSBURG CALIFORNIA 95448 USA +1.707.385.2101 [us@sklo.com](mailto:us@sklo.com)

SkLO EU VÁŽNÍ 488 500 03 HRADEC KRÁLOVÉ CZECH REPUBLIC +420.495.542.071 [eu@sklo.com](mailto:eu@sklo.com)