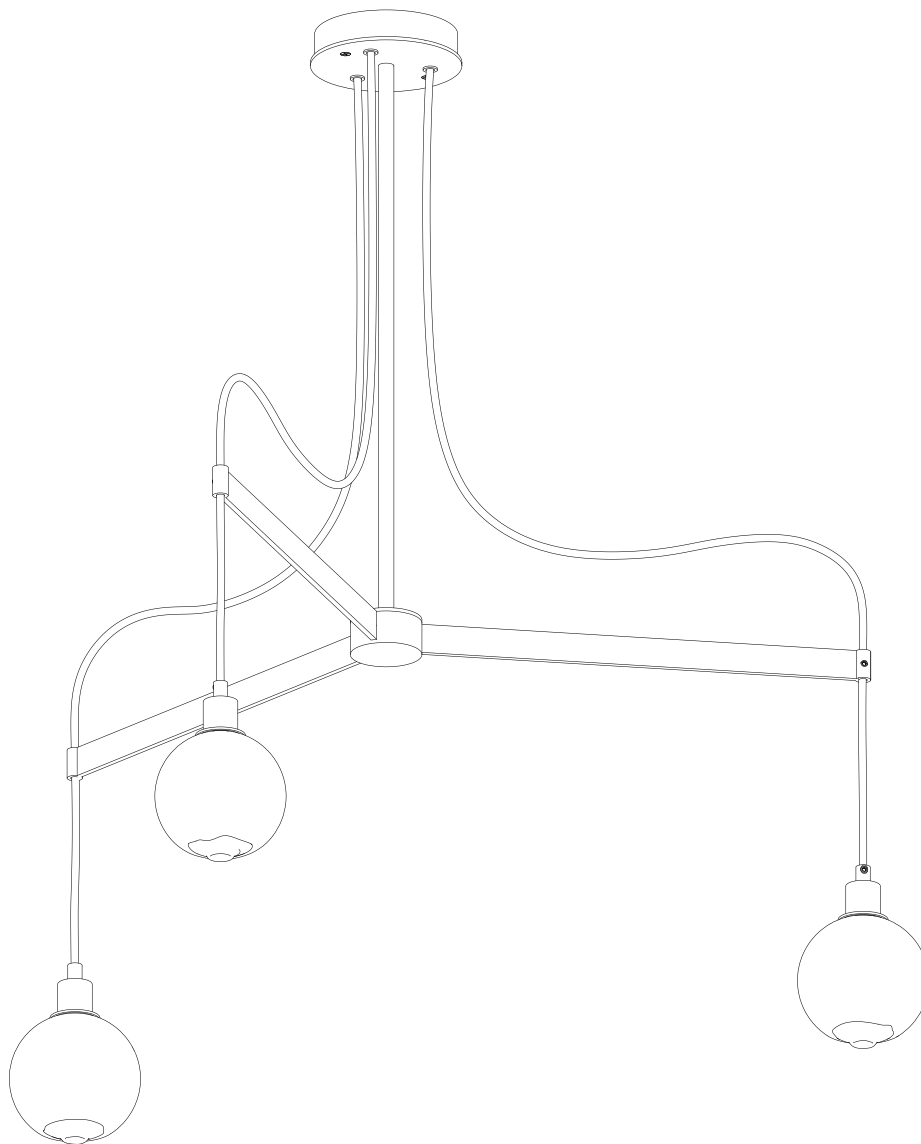




# DRAPE ARM 3 CHANDELIER

## Installation Instructions



**SkLO**

sklo.com

SkLO US 115 WEST NORTH STREET HEALDSBURG CALIFORNIA 95448 USA +1.707.385.2101 us@sklo.com  
SkLO EU VÁŽNÍ 488 500 03 HRADEC KRÁLOVÉ CZECH REPUBLIC +420.495.542.071 eu@sklo.com

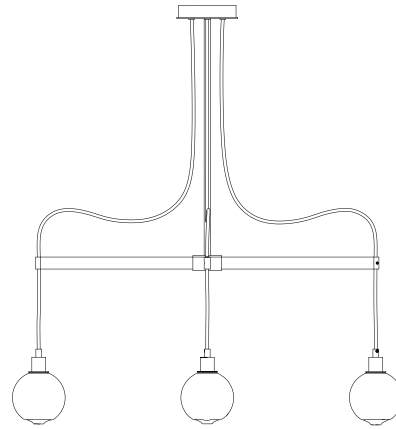


# DRAPE ARM 3 CHANDELIER

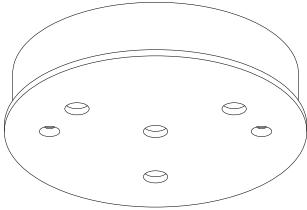
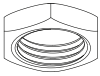
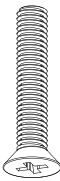

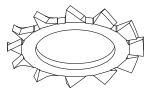
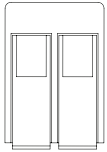
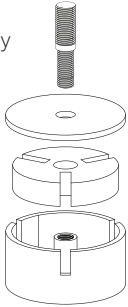
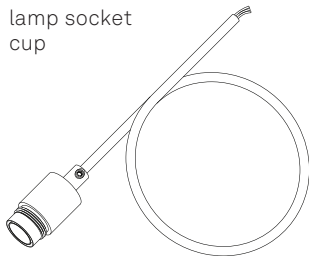
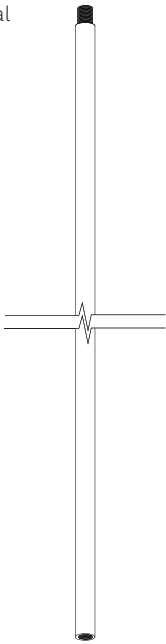

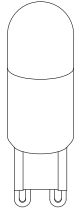
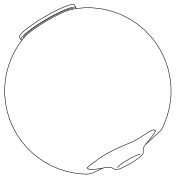
Congratulations on your purchase of a SkLO Drape Arm 3 Chandelier. This product must be installed in accordance with the applicable codes by a person familiar with the construction and operation of the product and the hazards involved, preferably a licensed electrician. Use a maximum 7W bulb.

**When unpacking individual items and parts of the light fixture, make sure to lay them out on a protective surface that will neither mar the delicate metal finishes nor scratch the glass. Gloves (nitrile) are provided and must be worn during installation to avoid fingerprints on the finish of the exposed metal parts.**

Your SkLO fixture will arrive with the hand-blown glass elements packed separately from the light fixture itself.



## CONTENTS:

Canopy	Hexagonal nut	Machine screw	Strain relief	Lock washer	Wire connector
					
1x	1x	2x	3x	1x	5x
Central assembly	Cord + lamp socket cup	Central stem	Pendant arm		
					
1x	3x				
Light bulb	Glass element				
					
3x	3x		1x		3x

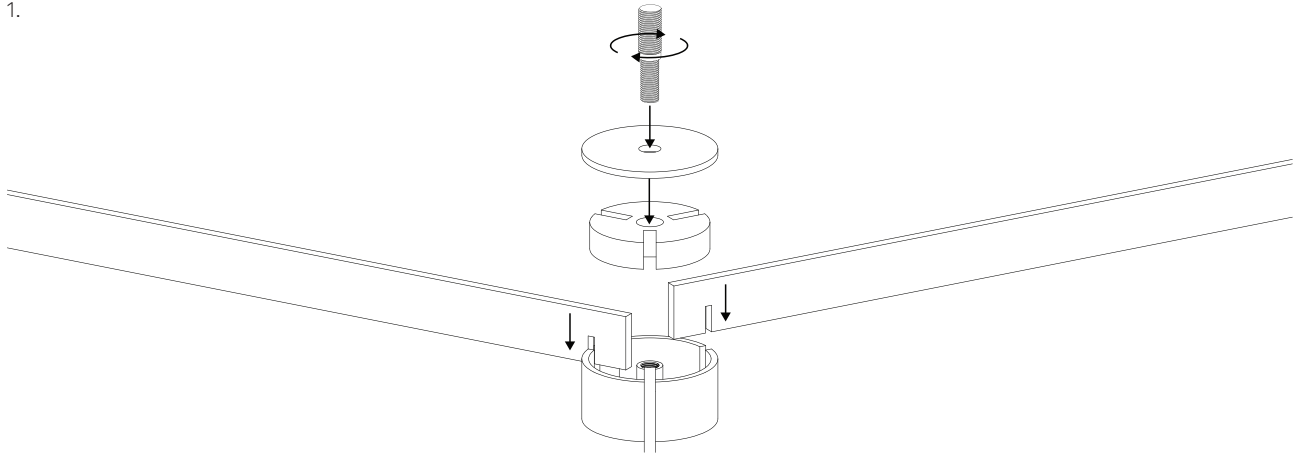


1. Attach the arms. Slide the slot at the end of the arm into the slot on the central assembly. The spacer part will help you to position the arm in the correct direction. Screw the top part of the central assembly to fix/lock the arm in its position (Figure 1).
2. Attach the central stem to the central assembly by threading it on the exposed male threaded nipple on the top of the assembly (Figure 2).
3. Use the supplied lock washer and nut to secure the canopy to the exposed threaded nipple on the top of the stem (Figure 3).
4. Pass each fabric-wrapped cord carefully through the strain relief at the end of each arm. Each cord is marked with tape at the position where it should be tightened. Gently tighten each set screw, just enough to support the pendant – do not overtighten or damage the electrical cord and insulation (Figure 4).
5. Pass the fabric-wrapped electrical cords through the corresponding holes in the canopy (see the drawing on the last page). Slide plastic strain reliefs over the ends of cords. Adjust the slack in the cords to achieve desired visual composition (see the drawing on the last page). Fix the length of cords by tightening the set screws – do not overtighten or damage the electrical cords and insulation (Figure 5).
6. Carefully supporting the fixture, connect the exposed leads of the fixture to the exposed leads in the electrical box, following the wiring diagram and using the provided wire connectors. Attach the ground (TE) wires to ground (TE) wires of the light fixture, phase 1 (L1) to phase 1 (L1) of the light fixture, neutral (N) to neutral (N) of the light fixture (Figure 6). Please note the number and type of wire connectors may vary.
7. This fixture requires an electrical box with available holes at 3 1/2” on center spacing. If a box with differently spaced threaded holes is present, additional parts may be required to install the fixture properly, such as a universal crossbar (not supplied).

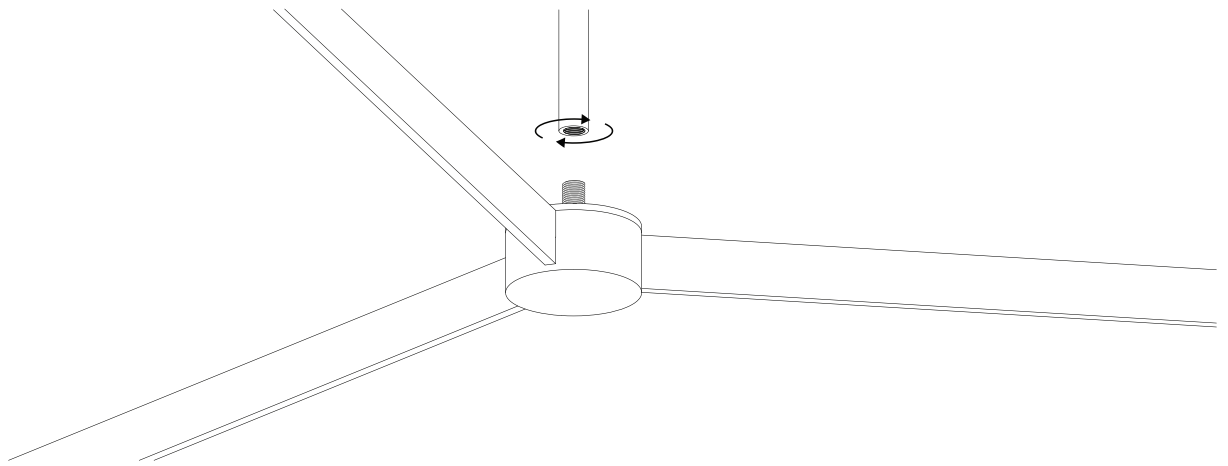
Raise the canopy all the way flush to the ceiling, taking care that no electrical cables or connections are exposed where the canopy meets the ceiling. Install light by fastening the two supplied 8/32 thread brass machine screws directly into the appropriate holes in the electrical box through the holes provided in the canopy (Figure 7). Take great care when installing screws so that tools do not slip and scratch the canopy finish, or damage the exposed screw head slots.
8. Unwrap the protective packaging from each of the 3 individual pendants. Install the supplied LED light bulbs (7W Max) into the sockets. This fixture uses G9 sockets and light bulbs. The G9 is a bi-pin socket. Light bulbs are to be inserted and removed by pushing the bulb straight into the socket, and by pulling it straight out. The bulb, when inserted, should have a tight fit. Do not force the bulb. If there is resistance, check to make sure nothing inside the socket is bent or obstructing the bulb. Always turn off the power to the fixture when changing the bulb(s). Unwrap and lay out all individual glass diffusers. Carefully thread a glass diffuser onto each socket (Figure 8). Thread on the glass diffusers just until they are visually tight – do not overtighten.



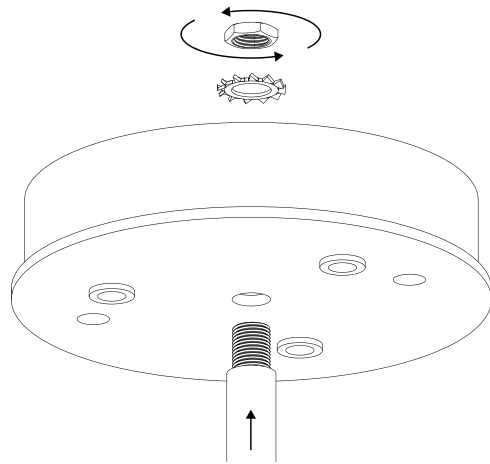
1.



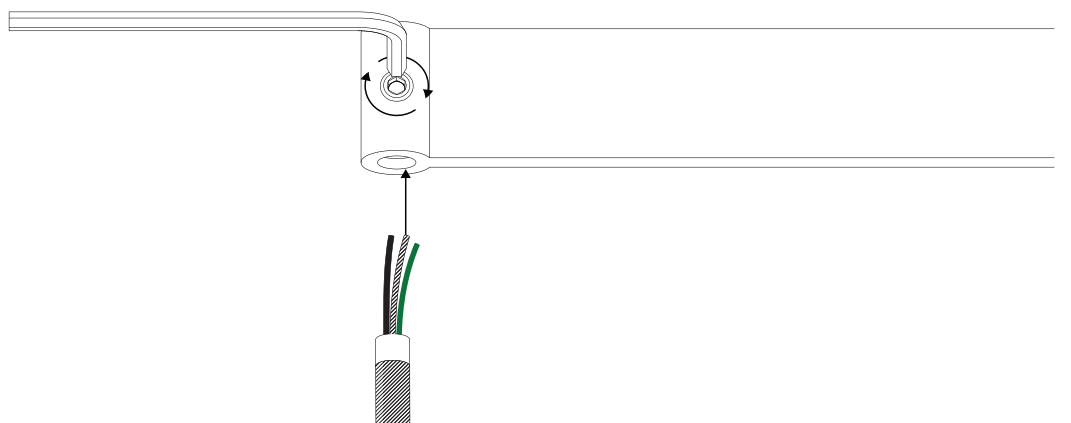
2.



3.

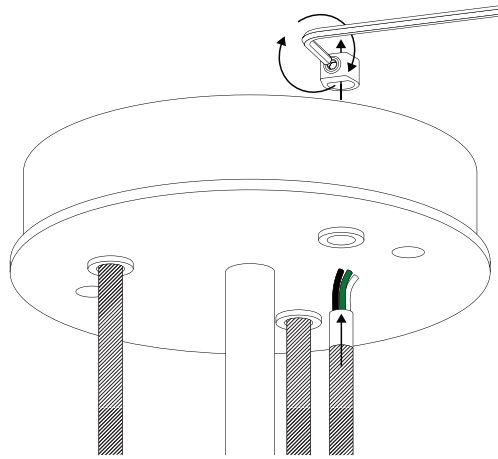


4.



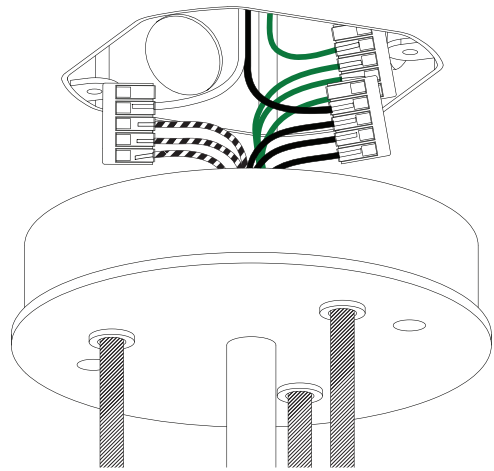
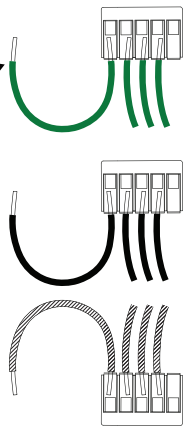


5.

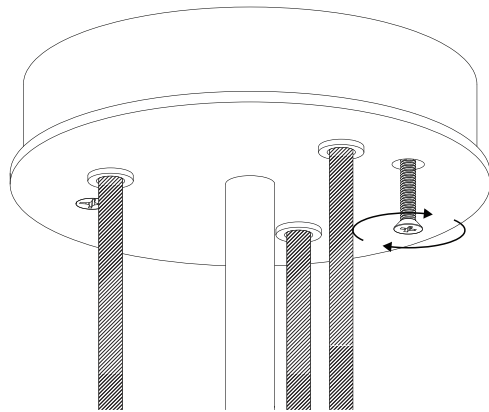


6.

GROUND



7.



8.

