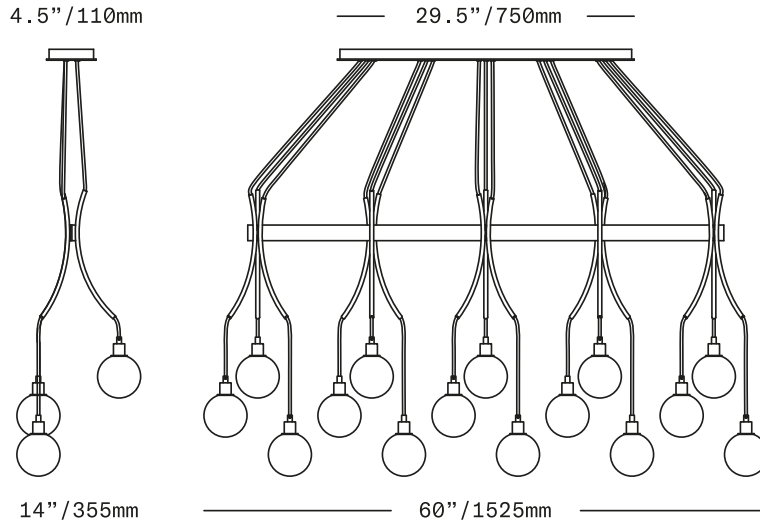


SkLO

Drape Skirt 15

CHANDELIER



The Drape Skirt 15 Chandelier consists of 15 individual pendants gathered into 5 groups of 3 and supported by a series of 5 brass "skirt" structures along the length of a brass bar. The brass "skirts" attach to the bar by a series of simple slotted connections, allowing the "skirts" to hold the bar with the slight friction of the cords passing through the smooth brass tubes of the "skirts". Each pendant features a 4.5"/110mm diameter diffuser of handblown Czech glass suspended on a fabric-wrapped electrical cord. The cords pass through and are affixed to the bar and are evenly spaced around its length. The glass diffusers are available in both "dipped" glass, featuring the SkLO double-dipped flame-polished mouth and "textured" glass, featuring a soft, frosted finish and subtle sculpted vertical ridges. Cord lengths are field adjustable.

UL listed suitable for dry and damp locations (US & Canada)

Sockets 120V G9 7W Max

LED bulbs included

Requires recessed electrical box for installation

Not recommended for sloped ceilings

Standard cord length 72"/1830mm – field adjustable – longer lengths available at additional cost

Fixture weight (approximate): 50lbs/23kg

All glass dimensions are approximate – handblown glass dimensions vary by nature and intent

Made in the Czech Republic

LT290 [---][--] Drape Skirt 15 Chandelier

- | | |
|-----------------------|---|
| Dipped Glass colors | <ul style="list-style-type: none"> ○ Clear [CLR] ● New Blue [NBL] ● Olivin [OLV] ● Smoke [SMK] ○ White [WHT] |
| Textured Glass colors | <ul style="list-style-type: none"> ○ Clear [TCL] ● Neutral Gray [NGT] ● Steel Blue [TSB] ● Whiskey [TWS] |
| Metal finishes | <ul style="list-style-type: none"> ● Dark Oxidized [DX] ● Brushed Brass [BB] ● Brushed Nickel [BN] ○ Polished Nickel [PN] |
| Cord Colors | <ul style="list-style-type: none"> ● Black ● Blue ● Gold ○ Gray |

