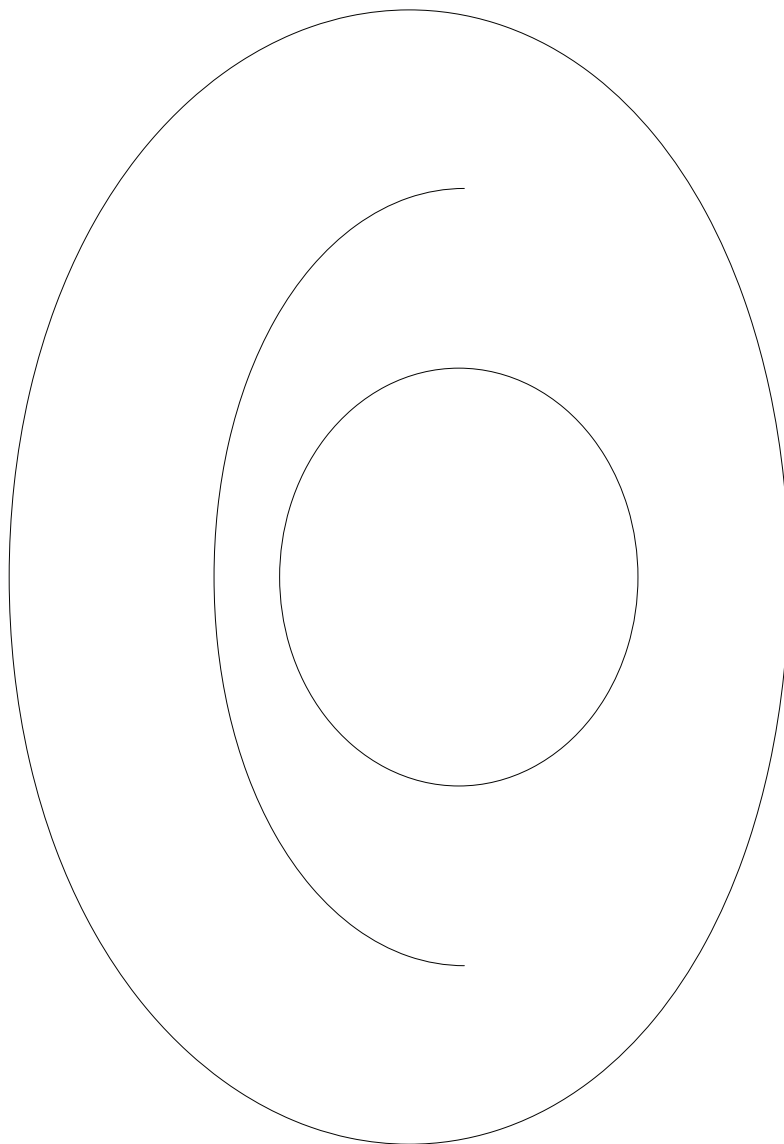




PILLOW SCONCE/CEILING LARGE

Installation Instructions



SkLO

sklo.com

SkLO US 115 WEST NORTH STREET HEALDSBURG CALIFORNIA 95448 USA +1.707.385.2101 us@sklo.com
SkLO EU VÁŽNÍ 488 500 03 HRADEC KRÁLOVÉ CZECH REPUBLIC +420.495.542.071 eu@sklo.com

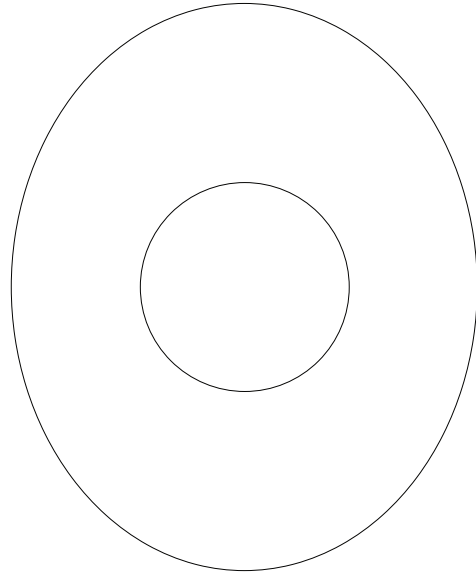


PILLOW SCONCE/CEILING LARGE

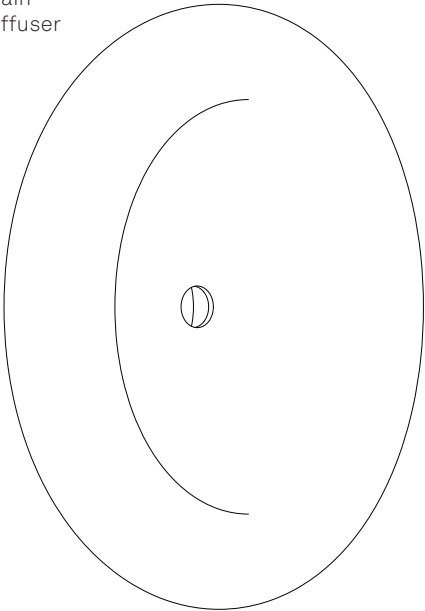
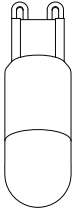
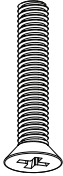
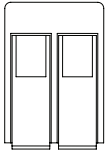
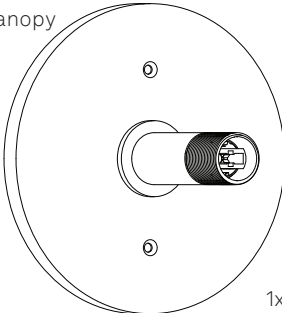
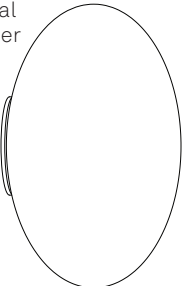
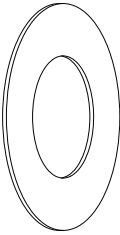
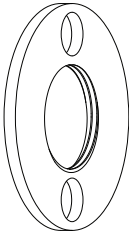
Congratulations on your purchase of a SkLO Pillow Sconce/Ceiling. This product must be installed in accordance with the applicable codes by a person familiar with the construction and operation of the product and the hazards involved, preferably a licensed electrician. Use a maximum 7W bulb.

When unpacking individual items and parts of the light fixture, make sure to lay them out on a protective surface that will neither mar the delicate metal finishes nor scratch the glass. Gloves (nitrile) are provided and must be worn during installation to avoid fingerprints on the finish of the exposed metal parts.

Your SkLO fixture will arrive with the hand-blown glass elements packed separately from the light fixture itself.



CONTENTS:

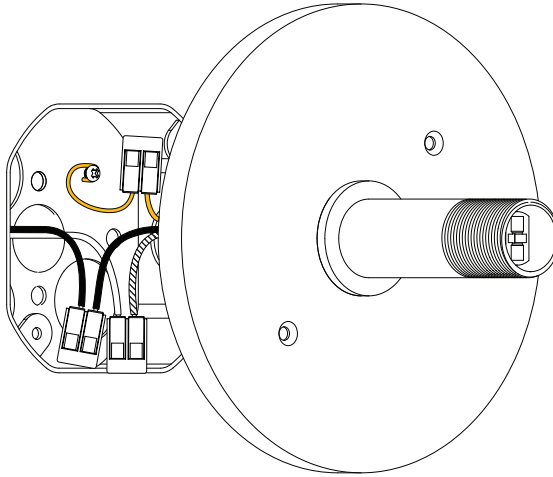
<p>Main diffuser</p>  <p>1x</p>	<p>Bulb</p>  <p>1x</p>	<p>Screw</p>  <p>2x</p>	<p>Wire connector</p>  <p>3x</p>	<p>Canopy</p>  <p>1x</p>
	<p>Central diffuser</p>  <p>1x</p>	<p>Washer</p>  <p>1x</p>	<p>Ring nut</p>  <p>1x</p>	<p>1x</p>



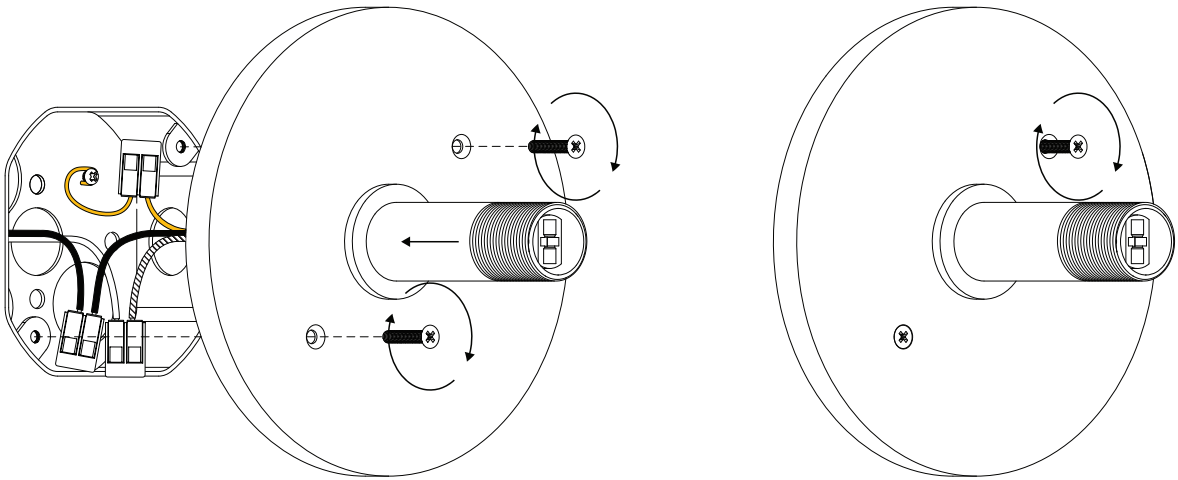
1. Carefully supporting the canopy, connect the exposed leads of the fixture to the exposed leads in the electrical box, following the wiring diagram and using the provided wire connectors. Attach the ground (TE) wires to ground (TE) wires of the light fixture, phase 1 (L1) to phase 1 (L1) of the light fixture, neutral (N) to neutral (N) of the light fixture (Figure 1). Please note the number and type of wire connectors may vary.
2. This sconce requires an electrical box with available holes at 3 1/2" on center spacing. If a box with differently spaced threaded holes is present, additional parts may be required to install the fixture properly, such as a universal cross bar (not supplied). Install the canopy by fastening the two supplied 8/32 thread brass machine screws directly into appropriate holes in the electrical box through the holes and guides provided as part of the canopy, making sure that the canopy sits flat and flush against the finish surface (Figure 2). Take great care when installing screws so that tools do not slip and scratch the canopy finish, or damage the exposed screw head slots.
3. Carefully slide the main glass diffuser over the cup on the canopy assembly all the way up to the canopy surface (Figure 3). Use the silicone washer and circular nut to secure the main diffuser in place. Tighten the nut. Do not overtighten. Take great care when manipulating and positioning the glass diffuser so that it does not chip or break (Figure 4).
4. Install the supplied LED light bulb (7 W Max) into the sockets. This fixture uses G9 sockets and light bulbs. The G9 is a bi-pin socket. Light bulbs are to be inserted and removed by pushing the bulb straight into the socket, and by pulling it straight out. The bulb, when inserted, should have a tight fit. Do not force the bulb. If there is resistance, check to make sure nothing inside the socket is bent or obstructing the bulb (Figure 5). Always turn off the power to the fixture when changing the bulb(s).
5. Unwrap and lay out the central glass diffuser. Carefully thread the glass diffuser onto the socket (Figure 6). Thread on the glass diffuser just until it is visually tight – do not overtighten.



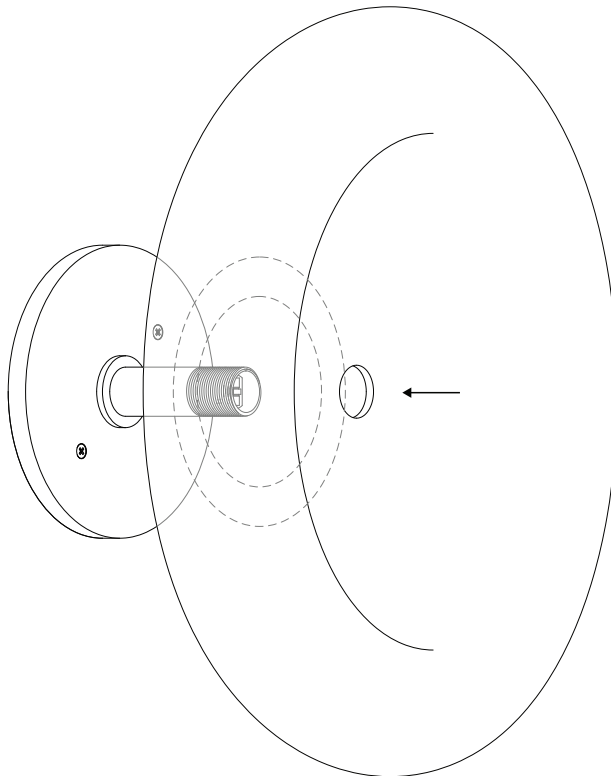
1.



2.

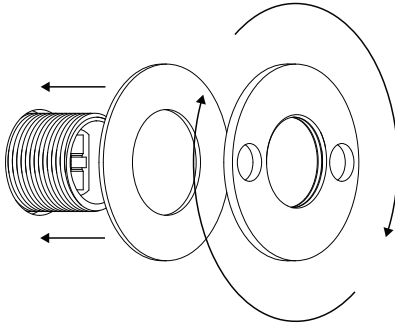


3.

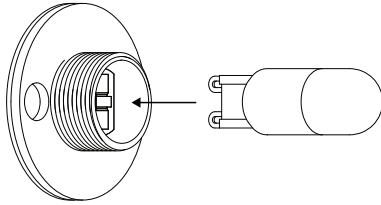




4.



5.



6.

