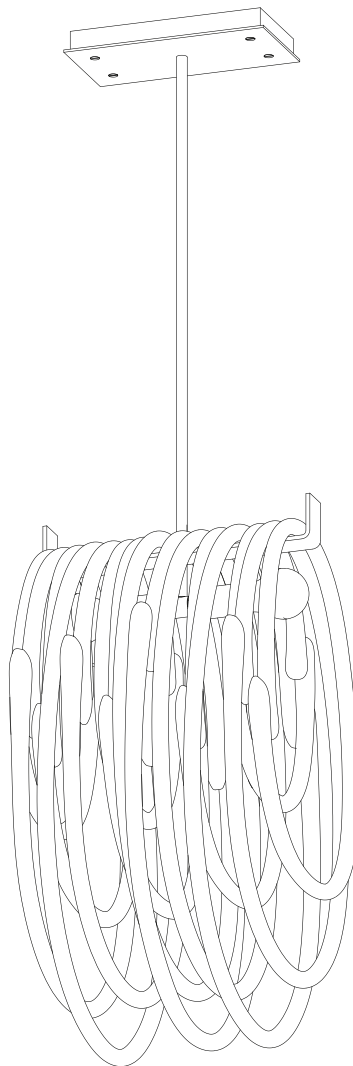




# LASSO 2.0 PENDANT

## Installation Instructions



**SkLO**

sklo.com

SkLO US 115 WEST NORTH STREET HEALDSBURG CALIFORNIA 95448 USA +1.707.385.2101 us@sklo.com  
SkLO EU VÁŽNÍ 488 500 03 HRADEC KRÁLOVÉ CZECH REPUBLIC +420.495.542.071 eu@sklo.com

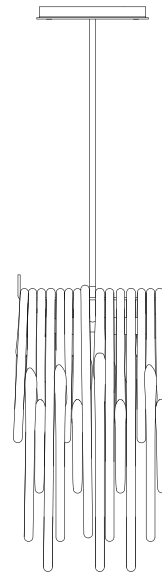


# LASSO 2.0 PENDANT



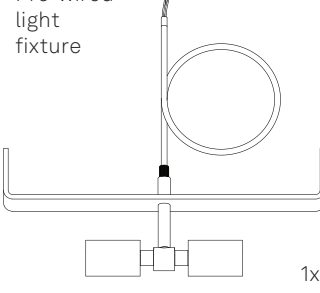

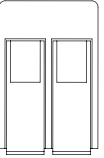
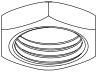
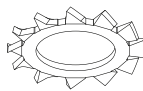
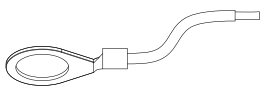
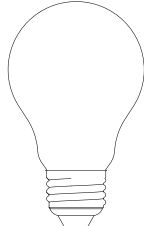
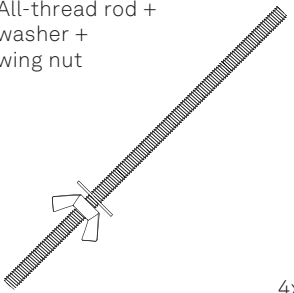
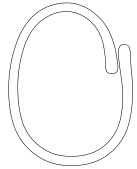
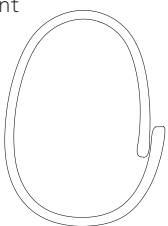
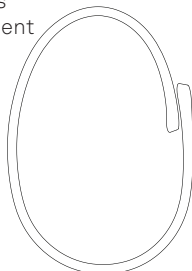
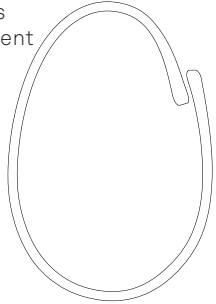
Congratulations on your purchase of a SkLO Lasso 2.0 Pendant. This product must be installed in accordance with the applicable codes by a person familiar with the construction and operation of the product and the hazards involved, preferably a licensed electrician. Use a maximum 60W bulb.

**When unpacking individual items and parts of the light fixture, make sure to lay them out on a protective surface that will neither mar the delicate metal finishes nor scratch the glass. Gloves (nitrile) are provided and must be worn during installation to avoid fingerprints on the finish of the exposed metal parts.**

Your SkLO fixture will arrive with the hand-blown glass elements packed separately from the light fixture itself.



## CONTENTS:

Canopy + mounting plate 	Stem 	Pre-wired light fixture 	Machine screw 	Wire connector 
1x	1x	quantity varies	1x	4x
Hexagonal nut 	Lock washer 	Ground lug 	Light bulb 	All-thread rod + washer + wing nut 
1x	1x	1x	2x	4x
Glass element 	Glass element 	Glass element 	Glass element 	
3x	3x	3x	6x	3x



1. The mounting plate will arrive fastened to the canopy. Separate the mounting plate from the canopy by carefully removing the four machine screws and set these aside for use during final installation (Figure 1).  
NOTE: There are steel cables attached to the mounting plate. The other ends of the cables will be attached to the top of the canopy during this installation. These support cables are provided as part of a UL requirement that allows the fixture to be temporarily suspended independent of the electrical cables/connections for inspection. Remove the glass elements before any such inspection or any other case in which the fixture will be supported by these cables alone.
2. Determine the final desired position and orientation of the fixture. Position the mounting plate over the recessed electrical box in a way that the central opening in the plate and the box are aligned. Install the mounting plate directly to the ceiling using fasteners/anchors (not provided) that are appropriate to the ceiling material being fastened to and to support the approximate 20 lbs weight of the fixture (Figure 2).
3. Fully thread each of the provided four nylon all-thread rods into each of the four threaded stand-offs on the mounting plate and slide the canopy up and over the rods such that each rod passes through the appropriate hole in the canopy. One at a time, slide a nylon washer up over each rod and thread on a wing nut so that the canopy can rest on the four washers. Level the canopy. Attach each support cable to the loop on the inside/top of the canopy using the provided quick-link at the free end of the cable (Figure 3).
4. Uncoil the electrical leads from the fixture and feed carefully up through the rigid stem. Stem is an internally/female threaded brass tube. One end is open, the other has a threaded nipple pre-installed and glued in. The open end of the stem is to be threaded onto the pre-installed and glued in exposed nipple at the top of the fixture (Figure 4a).

If multiple stem segments are supplied with your fixture, thread the stems together by threading the threaded nipples which have been pre-assembled at one end of each stem segment into the internal/female threaded end of the next stem until all are assembled together (Figure 4b).

5. Attach the light fixture to the suspended canopy by passing the exposed nipple at the top of the stem and the exposed light

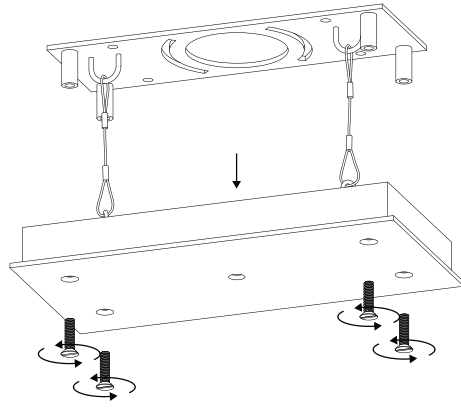
fixture leads through the central hole in the canopy. Working from the top/inside of the canopy, slide the lock washer over the nipple, followed by the ground lug, then thread on the provided nut. Do not tighten. Make sure to position the light such that the alignment of the hook that supports the glass is perfectly in parallel with the long direction of the rectangular canopy. When in position, tighten down the nut onto the lock washer (Figure 5).

6. While the fixture is thus carefully supported, connect the exposed leads of the fixture to the exposed leads in the electrical box, following the wiring diagram and using the provided wire connectors. Attach the ground (TE) wires to ground (TE) wires of the light fixture, phase 1 (L1) to phase 1 (L1) of the light fixture, neutral (N) to neutral (N) of the light fixture (Figure 6). Please note the number and type of wire connectors may vary.
7. Raise the canopy and carefully supported fixture up the nylon all-thread rods all the way flush to the ceiling, taking care that no electrical cables or connections are exposed where the canopy meets the ceiling. Working one at a time, remove a nylon all-thread rod and insert one of the provided machine screws through the countersunk hole in the canopy into the corresponding threaded stand-off on the mounting plate above. Take great care when installing screws so that tools do not slip and scratch the canopy finish, or damage the exposed screw head slots (Figure 7).
8. Install the supplied LED light bulbs (60W Max) into the sockets (Figure 8).
9. Carefully unpack and lay out the hand-blown glass “lasso” elements on a protective/ padded surface. Working one at a time, install the “lasso” elements by hanging them on the hook of the light fixture (Figure 9).  
NOTE: When installing glass “lasso” elements, alternate sides so as to maintain balance – do not fully load one side with glass at a time. Mix the different sizes of glass “lassos” and also the orientations of the glass joints randomly during installation. Note the “lassos” are meant not to fit perfectly – they are meant to “crowd” on the hooks – it is part of the look of the piece.

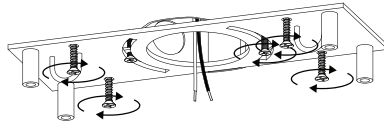
**ALWAYS REMOVE THE GLASS “LASSO” ELEMENTS BEFORE UNFASTENING THE CANOPY FROM THE RECESSED ELECTRICAL BOX FOR AN INSPECTION OF THE ELECTRICAL CONNECTIONS OR UNFASTENING OF THE FIXTURE.**



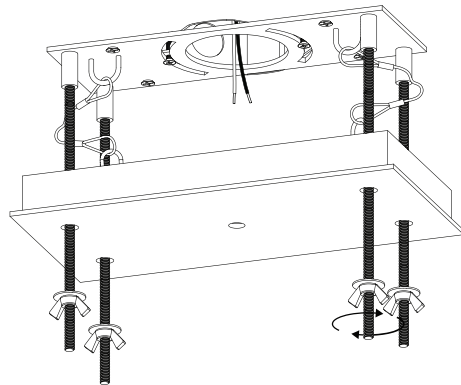
1.



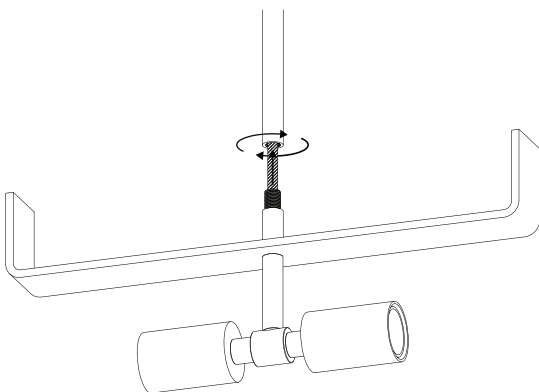
2.



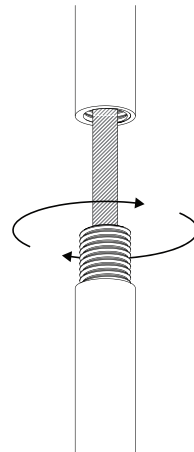
3.



4a.

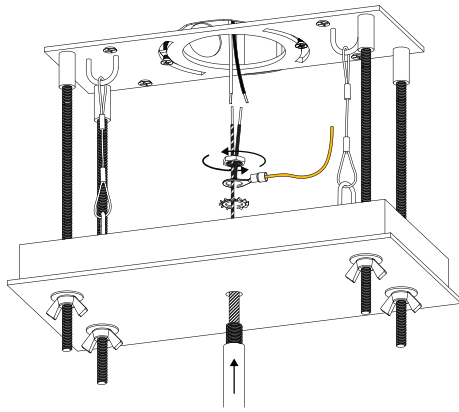


4b.

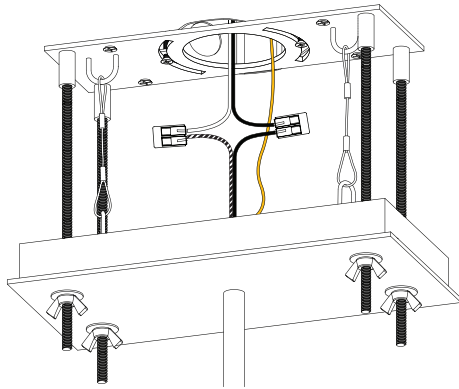




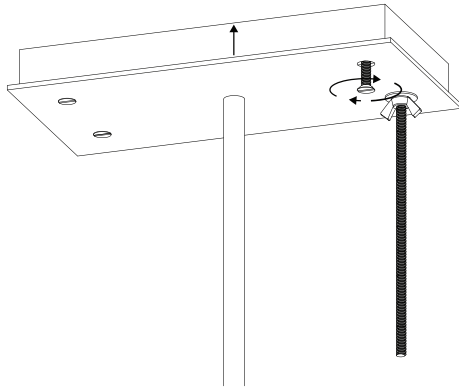
5.



6.



7.



8.

